



  
**MAPLE HILL**  
Woodworking

PRODUCT CATALOG









## *About* MAPLE HILL WOODWORKING

---

Maple Hill Woodworking is a family-owned and operated business located in Millersburg, OH.

In 2014, after 10 years of working in a neighboring woodshop, owner Ura Burkholder, along with his wife Esther, purchased Maple Hill Woodworking. In a 5800-square foot facility nestled on a hillside of maple trees, Maple Hill Woodworking produces solid wood home office, entertainment and occasional furniture. Custom choices for wood species, finish and hardware inspire customers to create their perfect home environment. Quality features such as dovetailed drawer boxes, full extension drawer guides and catalyzed varnish finishes ensure the beauty of Maple Hill Woodworking can be enjoyed for generations.





# OCS Stain Options



## Ohio Certified Stains

33284 County Road 12 · Baltic, Ohio 43804 · Phone: 330.275.7784 · Fax: 330.698.3200  
Now accepting credit cards. · Mail order form with check, or call with credit card information.

## Wood Stain Samples

### 3" x 5" Small Sample Boards

These samples work great to have throughout your showroom for quick reference and selection. Available in sets or individual samples.



Red Oak · 27 pc. set



Hickory · 27 pc. set



Brown Maple · 27 pc. set



Qu. Sawn Wh. Oak · 27 pc. set



Cherry · 27 pc. set

### 7" x 10" Sample Boards

Wood Stain samples that represent a larger portion of grain for additional accuracy.

Recommended for use in stain booth along with consulting your stain supplier to assist you with their Master 12" x 12" samples.

*Natural wood is vulnerable to much variation.*



7" x 10" Display Case





# Home Office AT-A-GLANCE



**HENRY STEPHENS COLLECTION..... 4**



**FINLEY COLLECTION..... 18**



**HAMPTON COLLECTION..... 30**



**BRIDGEPORT COLLECTION..... 42**



**KINGSTON COLLECTION..... 46**



**LINWOOD COLLECTION..... 54**



# Henry Stephens OFFICE COLLECTION







**HS-9249 CORNER HUTCH**

77<sup>3</sup>/<sub>4</sub>"W x 51"H x 18"D  
2 Drawers, 5 Adj. Shelves

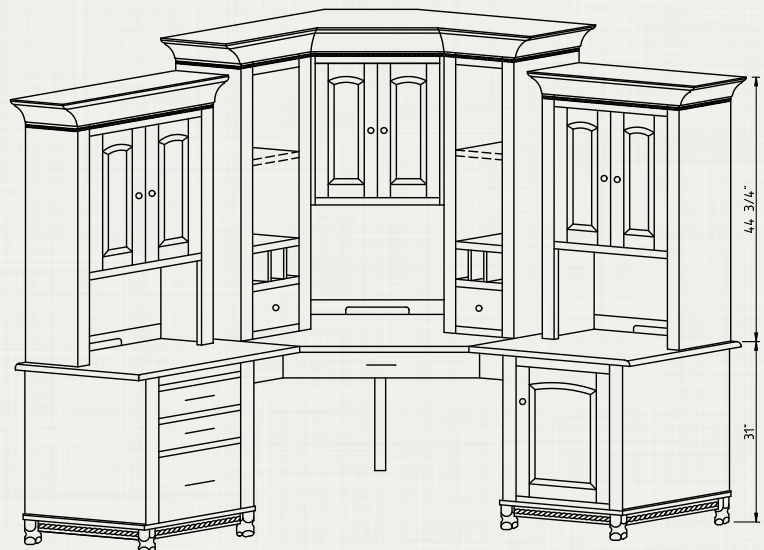
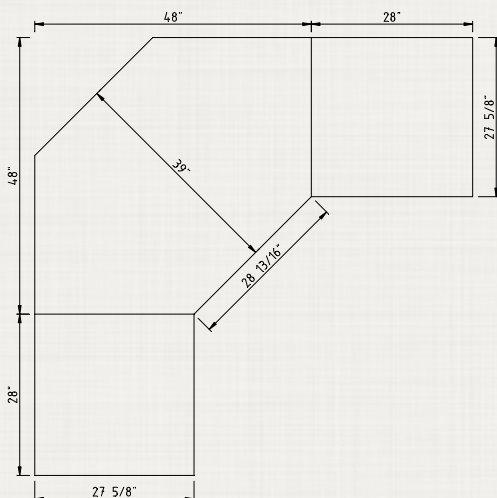
**HS-9049 CORNER DESK**

76"W x 31"H x 27<sup>1</sup>/<sub>2</sub>"D  
1 Keyboard Drawer, 2 Pencil Drawers, 1 File Drawer  
2 Writing Board Pullouts, 1 Adj. Shelf  
with Printer Pullout

*Standard Hardware:*

#120 Knobs, #121 Pulls

*Shown in Rustic Cherry with OCS 113 Michaels (10 Sheen)*







**HS-9247 PARTNER DESK HUTCH**

112"W x 50<sup>3</sup>/<sub>4</sub>"H x 18<sup>1</sup>/<sub>4</sub>"D  
5 Adj. Shelves, 1 LED Strip Light

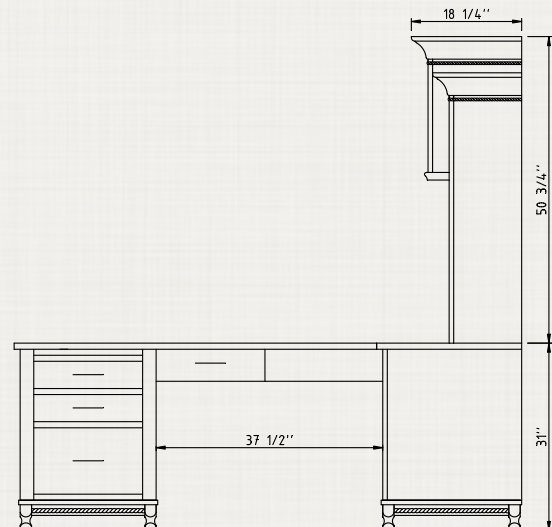
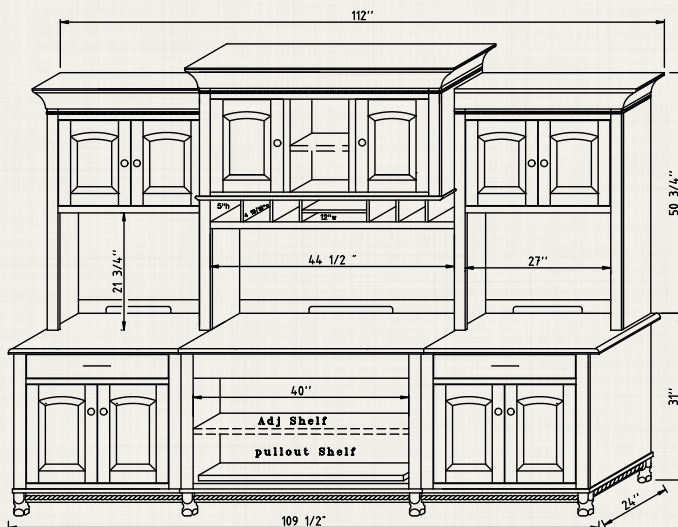
**HS-9047 PARTNER DESK**

2 Keyboard Drawers, 6 Pencil Drawers, 2 File Drawers,  
2 Writing Board Pullouts, 3 Adj. Shelves, 1 Printer Pullout

*Standard Hardware:*

#120 Knobs, #121 Pulls

*Shown in Rustic Cherry with OCS-113 Michaels*





## HS-9241 L-CORNER DESK HUTCH

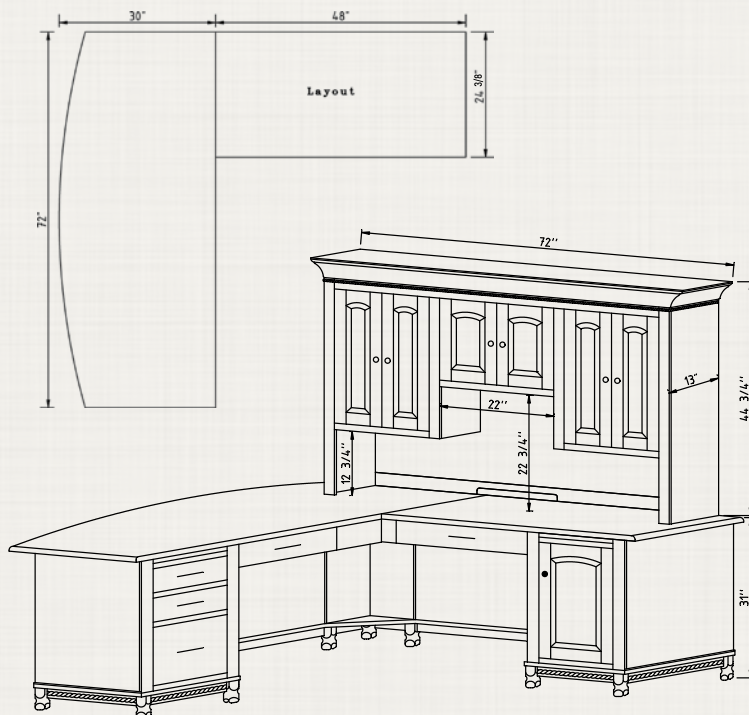
72"W x 44<sup>3</sup>/<sub>4</sub>"H x 14<sup>3</sup>/<sub>4</sub>"D  
5 Adj. Shelves

## HS-9041 L-CORNER DESK

78"W x 72"W x 31"H x 30"D  
1 Keyboard Drawer, 3 Pencil Drawers  
1 File Drawer, 2 Writing Board Pullouts, 1 Adj. Shelf

*Shown in Rustic Cherry with OCS-117 Asbury*

*Also Available with Raised Panel Sides and Back*



### *Standard Hardware:*

#120 Knobs, #121 Pulls

### *Mix and Match Pedestal Options:*

#934 False Drawer Front Door w/ Printer Pullout & 1 Adj. Shelf

#935 Writing Board Pullout, 2 Pencil Drawers, File Drawer

#936 Writing Board Pullout, Adj. Shelf Behind Door

*Shown with Standard Pedestals #935 and #936*



w/Finished Backs



# Henry Stephens OFFICE COLLECTION



## HS-9030 EXECUTIVE DESK

68"W x 31"H x 34"D

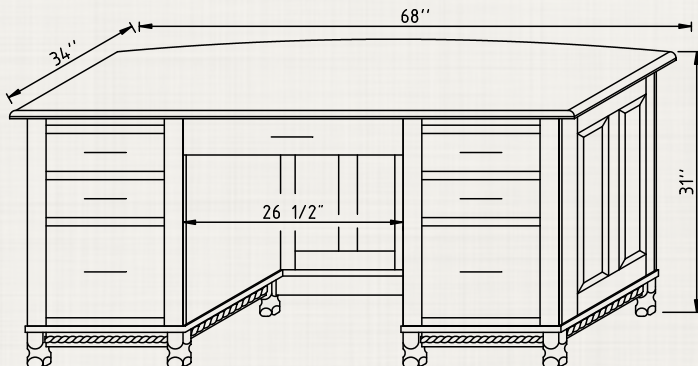
1 Keyboard Drawer, 4 Pencil Drawers  
2 File Drawers, 2 Writing Board Pullouts  
w/Finished Raised Panel Back

*Standard Hardware:*

#121 Pulls

*Shown in Rustic Cherry with OCS-117 Asbury*

*Available with Optional Glass Top*





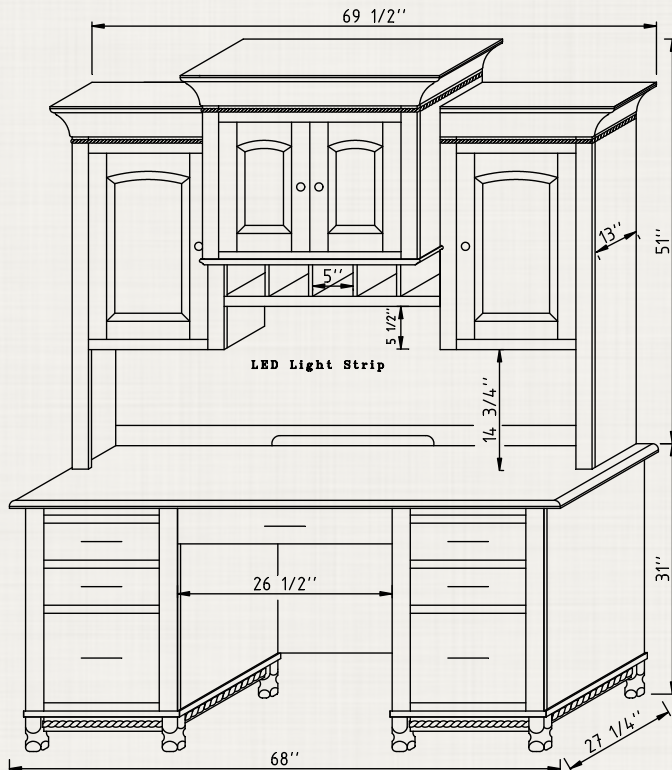
## HS-9212 WALL UNIT HUTCH

69 1/2" W x 51" H x 18 1/4" D  
3 Adj. Shelves & LED Strip Light

## HS-9012 WALL UNIT DESK

68" W x 31" H x 27 1/4" D  
1 Keyboard Drawer, 2 Pencil Drawers  
1 File Drawer, 1 Writing Board Pullout  
1 False Drawer Front Door w/ Printer Pullout & 1 Adj. Shelf

*Shown in Rustic Cherry with OCS-113 Michaels (10 Sheen)*



Ped. #935

Ped. #934 w/ 1-adj. shelf  
& Printer Pullout

### Standard Hardware:

#120 Knobs, #121 Pulls

### Mix and Match Pedestal Options:

#934 False Drawer Front Door w/ Printer Pullout & 1 Adj. Shelf

#935 Writing Board Pullout, 2 Pencil Drawers, File Drawer

#936 Writing Board Pullout, Adj. Shelf Behind Door

*Shown with Standard Pedestals #934 and #935*



LED Strip Light



Pedestal #936



Pedestal #934





## HS-9211 WALL UNIT HUTCH

69<sup>1</sup>/<sub>2</sub>"W x 50<sup>3</sup>/<sub>4</sub>"H x 14<sup>3</sup>/<sub>4</sub>"D  
 4 Adj. Glass Shelves, 1 Adj. Wood Shelf  
 2 Drawers, 2 Puck Lights w/Dimmer

## HS-9011 WALL UNIT DESK

68"W x 31"H x 25<sup>1</sup>/<sub>4</sub>"D  
 1 Keyboard Drawer, 2 Pencil Drawers, 1 File Drawer  
 2 Writing Board Pullouts, 1 Adj. Shelf

*Shown in Wormy Maple with FC-22924*

### Standard Hardware:

#120 Knobs, #121 Pulls

### Mix and Match Pedestal Options:

#934 False Drawer Front Door w/ Printer Pullout & 1 Adj. Shelf

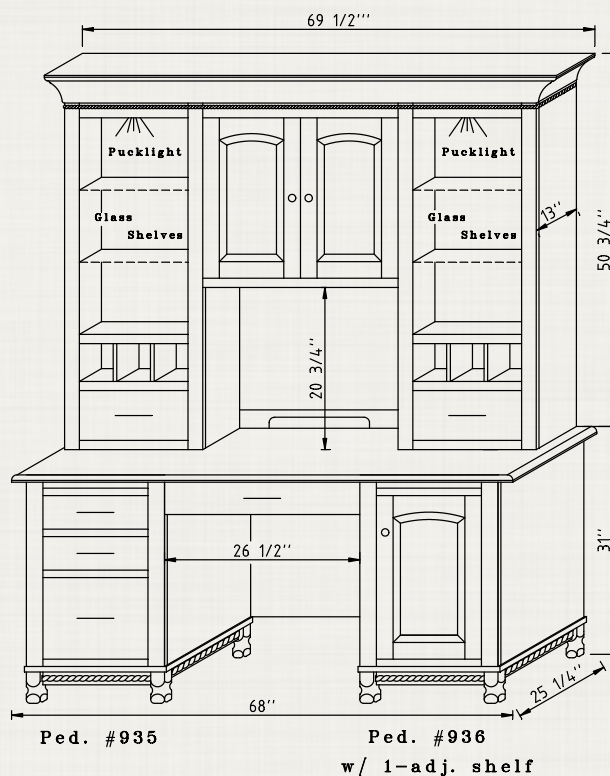
#935 Writing Board Pullout, 2 Pencil Drawers, File Drawer

#936 Writing Board Pullout, Adj. Shelf Behind Door

*Shown with Standard Pedestals #935 and #936*



Pedestal #934





**HS-9220 KNEEHOLE HUTCH**

52<sup>1</sup>/<sub>2</sub>"W x 44<sup>3</sup>/<sub>4</sub>"H x 14<sup>3</sup>/<sub>4</sub>"D

1 Glass Shelf, 2 Wood Shelves

1 Puck Light w/Dimmer

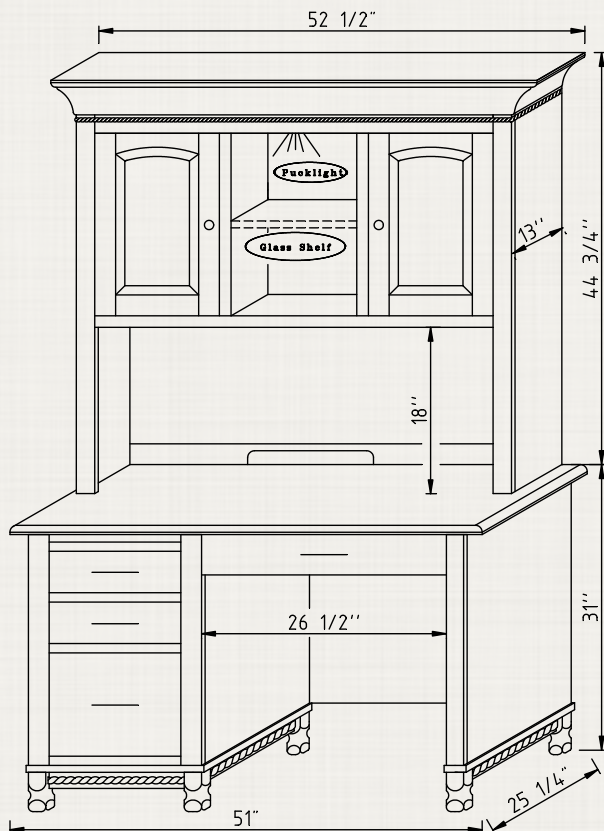
**HS-9020 KNEEHOLE DESK**

51"W x 31"H x 25<sup>1</sup>/<sub>4</sub>"D

1 Keyboard Drawer, 2 Pencil Drawers, 1 File Drawer,

1 Writing Board Pullout

*Shown in Brown Maple with OCS-119 Cappuccino*



**Standard Hardware:**

#120 Knobs, #121 Pulls

*Shown with #124 Knobs, #125 Pulls*





**HS-9032** 48" WRITING DESK

48"W x 30 $\frac{1}{2}$ "H x 25"D  
1 Keyboard Drawer

*Standard Hardware:*

#121 Pull

*Shown in Rustic Cherry with OCS-113 Michaels*



**HS-9034** 60" WRITING DESK

60"W x 30 $\frac{1}{2}$ "H x 25"D  
1 Keyboard Drawer, 2 Pencil Drawers

*Standard Hardware:*

#121 Pulls

*Shown in Rustic Cherry with OCS-113 Michaels*





**HS-9016** LATERAL FILE

34<sup>1</sup>/<sub>2</sub>"W x 31"H x 23"D

Letter or Legal Size Files

*Standard Hardware:*

#121 Pulls

*Shown in Rustic Cherry with OCS-117 Asbury*

*Also Available:*

**HS-9216** Hutch

38"W x 44<sup>3</sup>/<sub>4</sub>"H x 14<sup>3</sup>/<sub>4</sub>"D

2 Adj. Shelves



**HS-9017** 4-DRAWER FILE CABINET

20<sup>3</sup>/<sub>4</sub>"W x 55"H x 23"D

Letter Size Files

*Standard Hardware:*

#121 Pulls

*Shown in Cherry with OCS-106 Acres  
with Lock Option*





**HS-9018** 2-DRAWER FILE CABINET

20<sup>3</sup>/<sub>4</sub>"W x 31"H x 23"D

Letter Size Files

*Standard Hardware:*

#121 Pulls

*Shown in Cherry with OCS-106 Acres  
with Lock Option*

**HS-9019** 3-DRAWER FILE CABINET

20<sup>3</sup>/<sub>4</sub>"W x 42<sup>3</sup>/<sub>4</sub>"H x 23"D

Letter Size Files

*Standard Hardware:*

#121 Pulls

*Shown in Cherry with OCS-106 Acres  
with Lock Option*







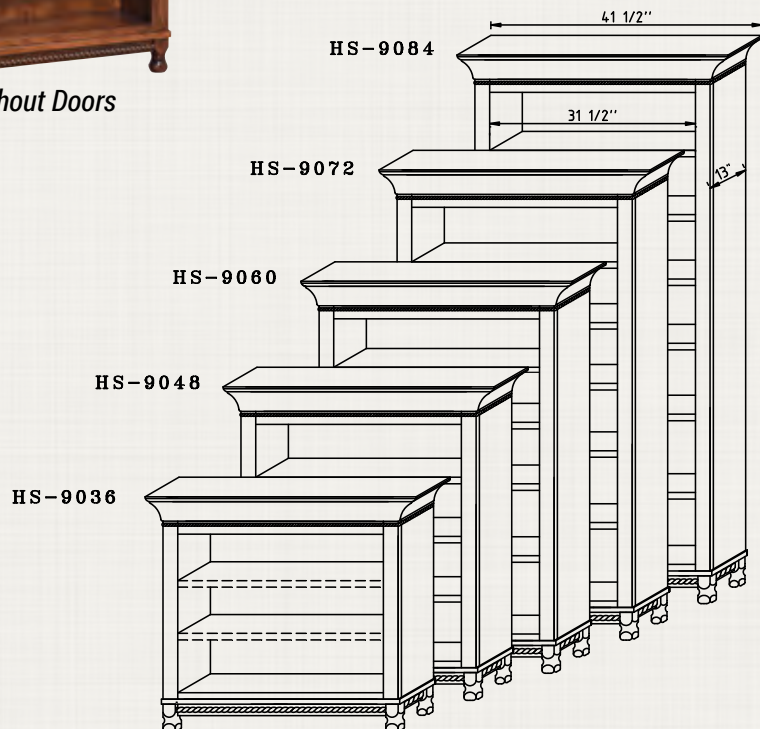
**HS-9072 BOOKCASE**

41 1/2" W x 72" H x 15 1/2" D

*Shown in Rustic Cherry with OCS-113 Michaels  
w/Optional Wood Doors on Bottom*



*Without Doors*







**HS-9013 3-PIECE BOOKCASE W/2 DOORS**

100"W x 82"H x 18<sup>3</sup>/<sub>4</sub>"D  
3 Fixed Shelves, 9 Adj. Shelves

*Standard Hardware:*  
#120 Knobs

*Shown in Cherry with OCS-108 S-14*

*Also Available*

**HS-9013-LF 3-Piece Bookcase w/2 Lateral File Drawers**







# Home Office FEATURES & OPTIONS



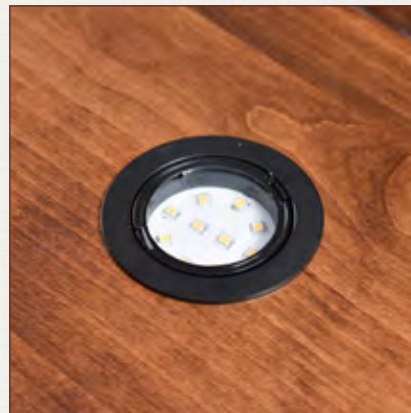
Writing Board Pullout



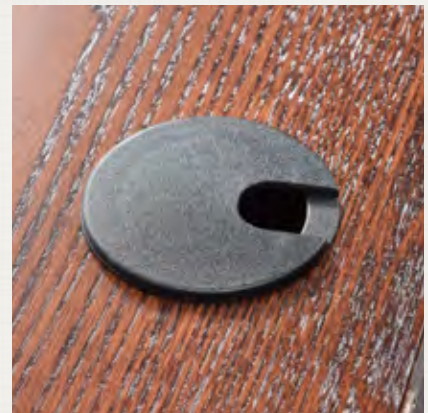
Keyboard Drawer



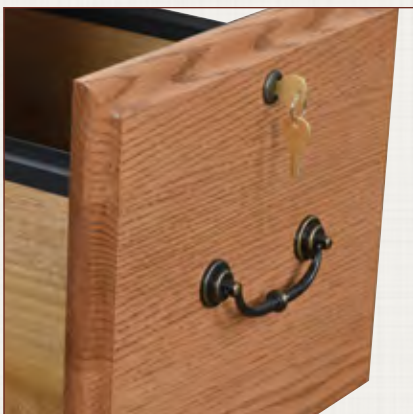
Printer Pullout



Puck Lights



Grommet Hole in Top,  
Specify Location



Lock on Drawer



Letter/Legal File



Letter File



*Finley*  
**OFFICE COLLECTION**







**FL-9249 CORNER HUTCH**

77<sup>3</sup>/<sub>4</sub>"W x 51"H x 18"D  
2 Drawers, 5 Adj. Shelves

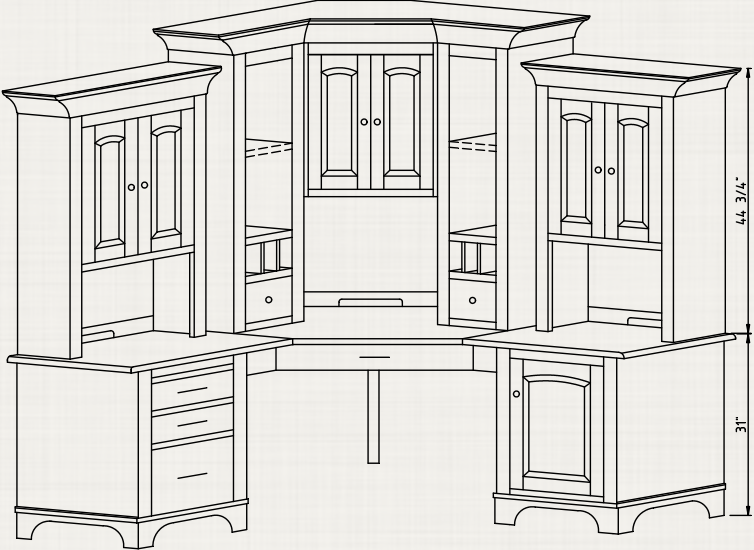
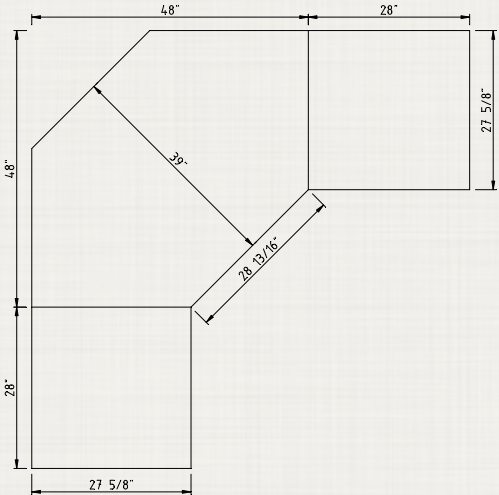
**FL-9049 CORNER DESK**

76"W x 31"H x 27<sup>1</sup>/<sub>2</sub>"D  
1 Keyboard Drawer, 2 Pencil Drawers, 1 File Drawer  
2 Writing Board Pullouts, 1 Adj. Shelf with Printer Pullout

*Standard Hardware:*

#120 Knobs, #121 Pulls

*Shown in Rustic Cherry with OCS 113 Michaels (10 Sheen)*







**FL-9247 PARTNER DESK HUTCH**

112"W x 50<sup>3</sup>/<sub>4</sub>"H x 18<sup>1</sup>/<sub>4</sub>"D  
5 Adj. Shelves, 1 LED Strip Light

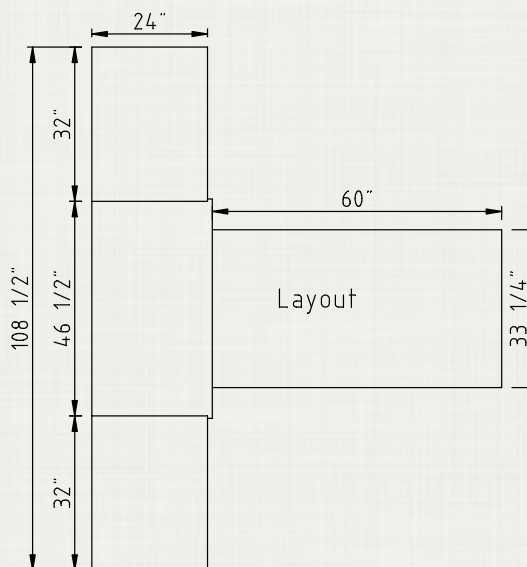
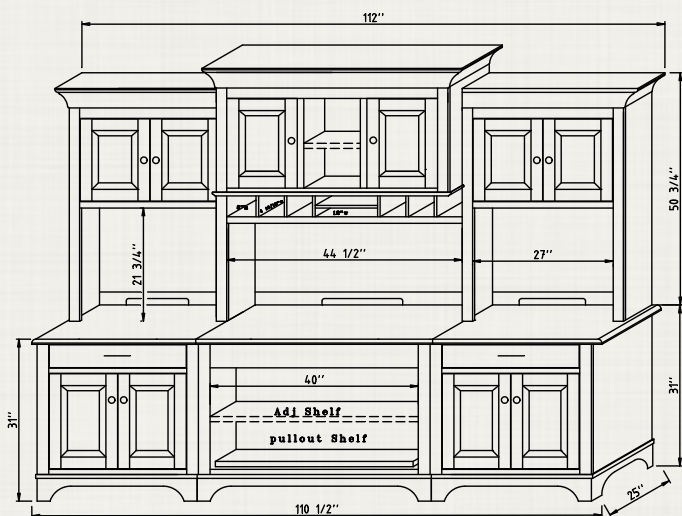
**FL-9047 PARTNER DESK**

2 Keyboard Drawers, 6 Pencil Drawers, 2 File Drawers,  
2 Writing Board Pullouts, 3 Adj. Shelves, 1 Printer Pullout

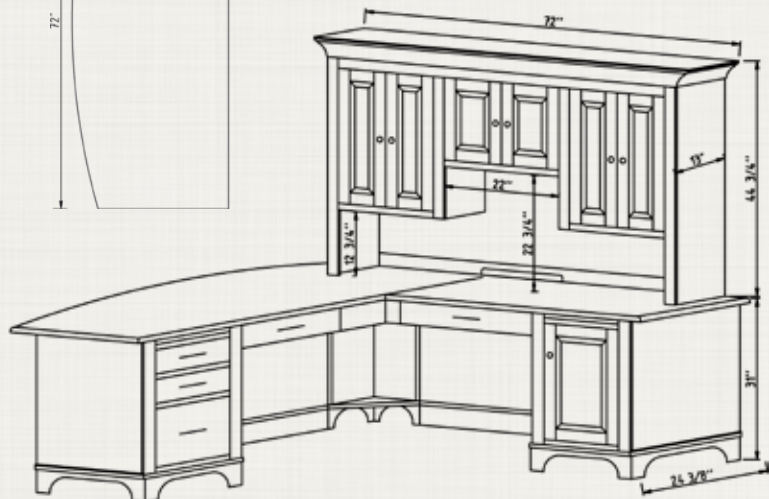
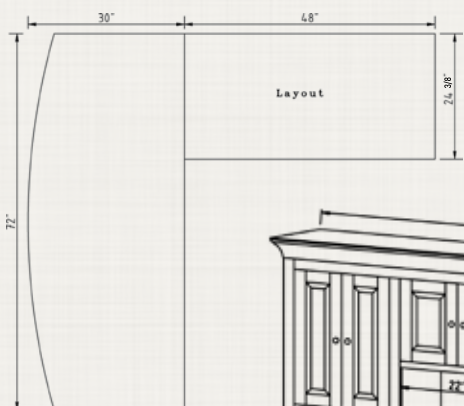
*Standard Hardware:*

#120 Knobs, #121 Pulls

*Shown in Rustic Cherry with OCS-113 Michaels*







**FL-9241 L-CORNER DESK HUTCH**

72"W x 44<sup>3</sup>/<sub>4</sub>"H x 14<sup>3</sup>/<sub>4</sub>"D

5 Adj. Shelves

**FL-9041 L-CORNER DESK**

78"W x 72"W x 31"H x 30"D

1 Keyboard Drawer, 3 Pencil Drawers

1 File Drawer, 2 Writing Board Pullouts, 1 Adj. Shelf w/Finished Back

***Standard Hardware:***

#120 Knobs, #121 Pulls

*Shown in Sap Cherry with OCS-106 Acres*

***Mix and Match Pedestal Options:***

#934 False Drawer Front Door w/ Printer Pullout & 1 Adj. Shelf

#935 Writing Board Pullout, 2 Pencil Drawers, File Drawer

#936 Writing Board Pullout, Adj. Shelf Behind Door

*Shown with Standard Pedestals #935 and #936*

*Also Available with Raised Panel Sides and Back*





**FL-9030 EXECUTIVE DESK**

68"W x 31"H x 34"D

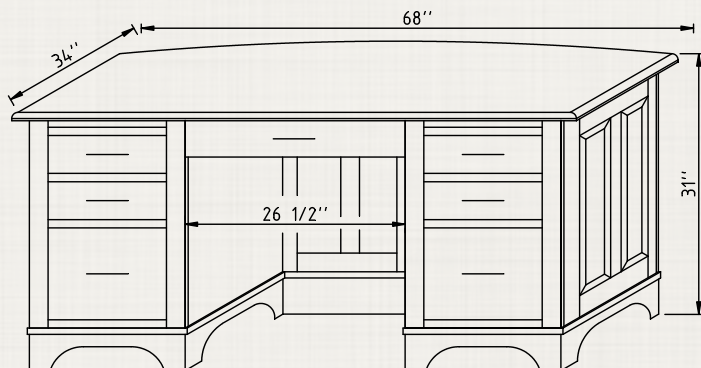
1 Keyboard Drawer, 4 Pencil Drawers  
2 File Drawers, 2 Writing Board Pullouts  
w/Finished Raised Panel Back

*Standard Hardware:*

#121 Pulls

*Shown in Sap Cherry with OCS-106 Acres*

*Available with Optional Glass Top*







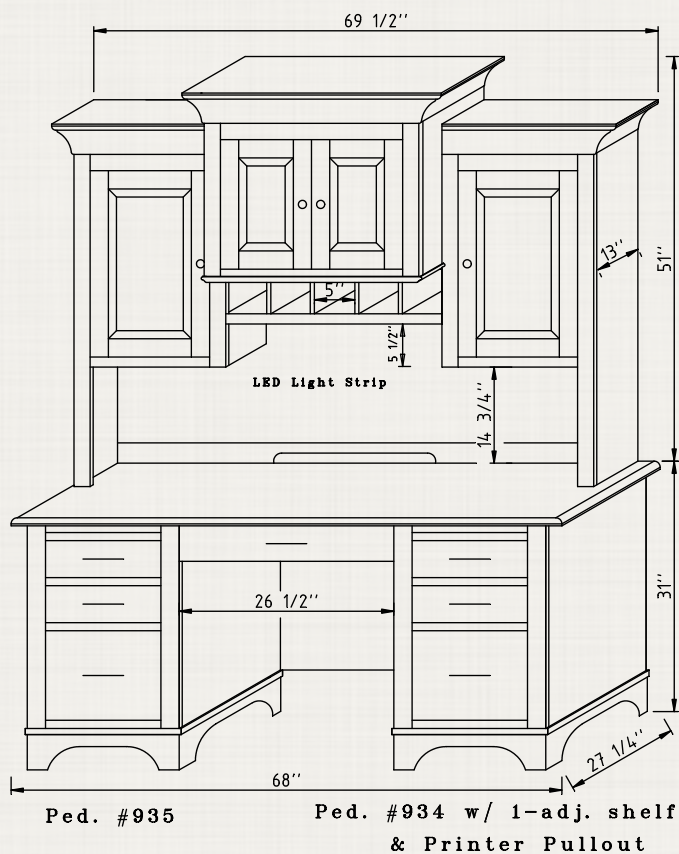
**FL-9212 WALL UNIT HUTCH**

69 1/2" W x 51" H x 18 1/4" D  
3 Adj. Shelves & LED Strip Light

**FL-9012 WALL UNIT DESK**

68" W x 31" H x 27 1/4" D  
1 Keyboard Drawer, 2 Pencil Drawers  
1 File Drawer, 1 Writing Board Pullout  
1 False Drawer Front Door w/Printer Pullout & 1 Adj. Shelf

*Shown in Brown Maple with Driftwood  
and OCS-230 Onyx*



*Standard Hardware:*

#120 Knobs, #121 Pulls

*Mix and Match Pedestal Options:*

- #934 False Drawer Front Door w/ Printer Pullout & 1 Adj. Shelf
- #935 Writing Board Pullout, 2 Pencil Drawers, File Drawer
- #936 Writing Board Pullout, Adj. Shelf Behind Door

*Shown with Standard Pedestals #934 and #935*



LED Strip Light



Pedestal #936



Pedestal #934





**FL-9211 WALL UNIT HUTCH**

69<sup>1</sup>/<sub>2</sub>"W x 50<sup>3</sup>/<sub>4</sub>"H x 14<sup>3</sup>/<sub>4</sub>"D  
 4 Adj. Glass Shelves, 1 Adj. Wood Shelf  
 2 Drawers, 2 Puck Lights w/Dimmer

**FL-9011 WALL UNIT DESK**

68"W x 31"H x 25<sup>1</sup>/<sub>4</sub>"D  
 1 Keyboard Drawer, 2 Pencil Drawers, 1 File Drawer  
 2 Writing Board Pullouts, 1 Adj. Shelf

*Shown in Wormy Maple with FC-22924*

*Standard Hardware:*

#120 Knobs, #121 Pulls

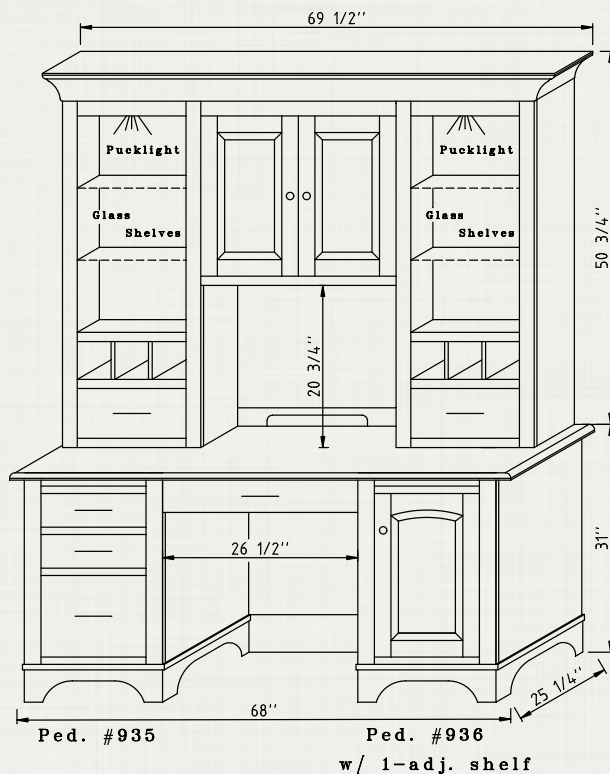
*Mix and Match Pedestal Options:*

#934 False Drawer Front Door w/ Printer Pullout & 1 Adj. Shelf

#935 Writing Board Pullout, 2 Pencil Drawers, File Drawer

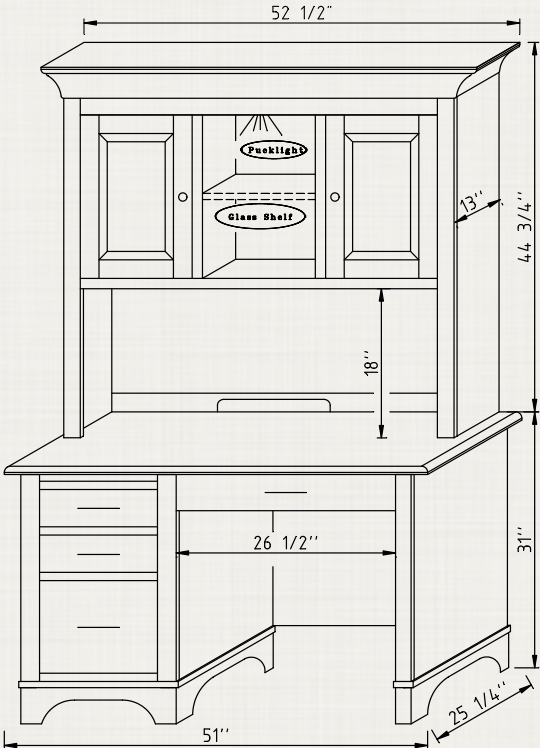
#936 Writing Board Pullout, Adj. Shelf Behind Door

*Shown with Standard Pedestals #935 and #936*



Pedestal #934





**FL-9220 KNEEHOLE HUTCH**

52<sup>1</sup>/<sub>2</sub>"W x 44<sup>3</sup>/<sub>4</sub>"H x 14<sup>3</sup>/<sub>4</sub>"D  
 1 Glass Shelf, 2 Wood Shelves  
 1 Puck Light w/Dimmer

**FL-9020 KNEEHOLE DESK**

51"W x 31"H x 25<sup>1</sup>/<sub>4</sub>"D  
 1 Keyboard Drawer, 2 Pencil Drawers, 1 File Drawer,  
 1 Writing Board Pullout

*Standard Hardware:*

#120 Knobs, #121 Pulls

*Shown in Brown Maple with OCS-119 Cappuccino  
 and #124 Knobs, #125 Pulls*





**FL-9032** 48" WRITING DESK

48"W x 30<sup>1</sup>/<sub>2</sub>"H x 25"D

1 Keyboard Drawer

*Standard Hardware:*

#121 Pull

*Shown in Brown Maple with Driftwood  
and OCS-230 Onyx*



**FL-9034** 60" WRITING DESK

60"W x 30<sup>1</sup>/<sub>2</sub>"H x 25"D

1 Keyboard Drawer, 2 Pencil Drawers

*Standard Hardware:*

#121 Pulls

*Shown in Rustic Cherry with OCS-113 Michaels*



**FL-9018** 2-DRAWER FILE CABINET

20<sup>3</sup>/<sub>4</sub>"W x 31"H x 23"D

Letter Size Files

*Standard Hardware:*

#121 Pulls

*Shown in Sap Cherry with OCS-106 Acres*





**FL-9019** 3-DRAWER FILE CABINET

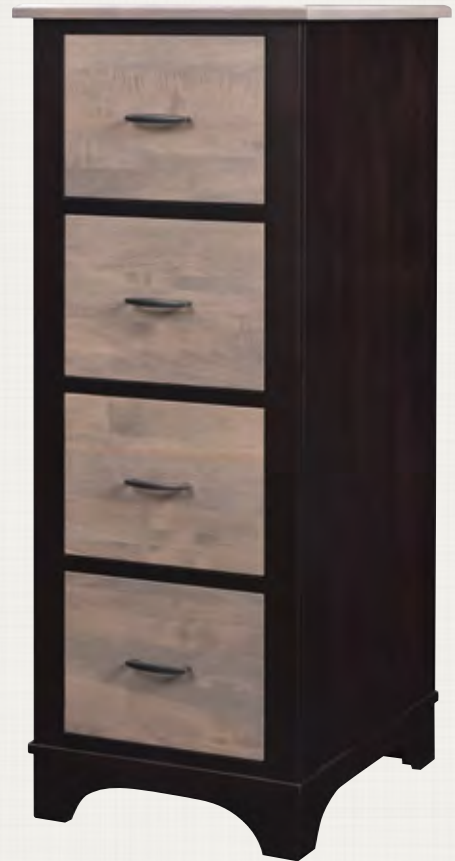
20<sup>3</sup>/<sub>4</sub>"W x 42<sup>3</sup>/<sub>4</sub>"H x 23"D

Letter Size Files

*Standard Hardware:*

#121 Pulls

*Shown in Brown Maple with Driftwood and OCS-230 Onyx*



**FL-9017** 4-DRAWER FILE CABINET

20<sup>3</sup>/<sub>4</sub>"W x 55"H x 23"D

Letter Size Files

*Standard Hardware:*

#121 Pulls

*Shown in Brown Maple with Driftwood and OCS-230 Onyx*

**FL-9016** LATERAL FILE

34<sup>1</sup>/<sub>2</sub>"W x 31"H x 23"D

Letter or Legal Size Files

*Standard Hardware:*

#121 Pulls

*Shown in Rustic Cherry with OCS-117 Asbury*

*Also Available:*

**FL-9216** Hutch

38"W x 44<sup>3</sup>/<sub>4</sub>"H x 14<sup>3</sup>/<sub>4</sub>"D

2 Adj. Shelves







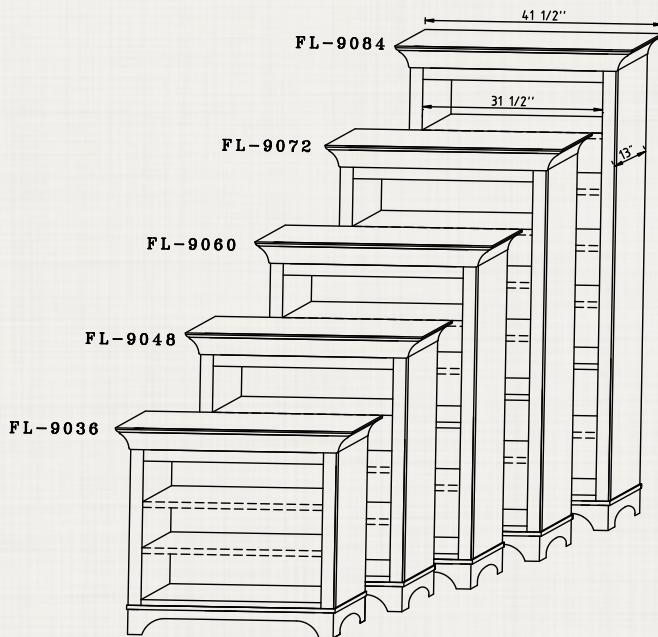
**FL-9072** BOOKCASE

41 1/2"W x 72"H x 15 1/2"D

*Shown in Rustic Cherry with OCS-113 Michaels  
w/Optional Wood Doors on Bottom*



*Without Doors*







**FL-9013 3-PIECE BOOKCASE W/2 DOORS**

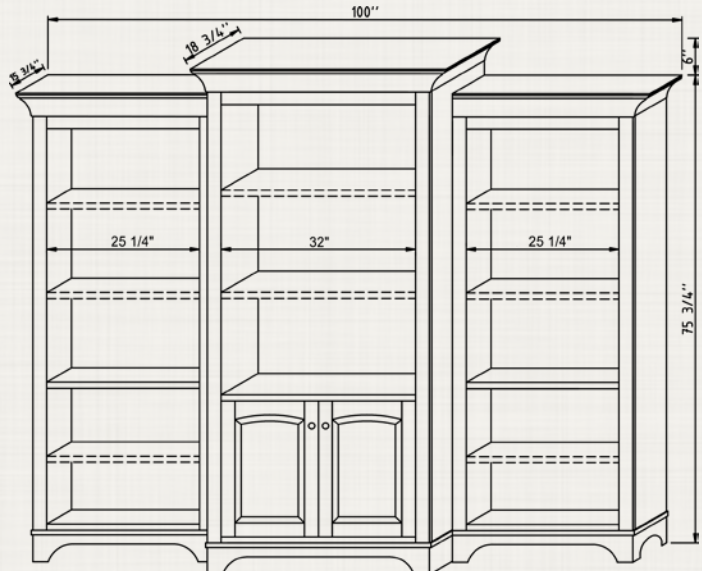
100"W x 82"H x 18<sup>3</sup>/<sub>4</sub>"D  
3 Fixed Shelves, 9 Adj. Shelves

*Standard Hardware:*  
#120 Knobs

*Shown in Cherry with OCS-108 S-14*

*Also Available*

**FL-9013-LF 3-Piece Bookcase w/2 Lateral File Drawers**





# *Hampton* OFFICE COLLECTION





**HM-3243 L-CORNER DESK HUTCH**

72<sup>1</sup>/<sub>2</sub>"W x 27"H x 13<sup>3</sup>/<sub>8</sub>"D

Also Available w/Wood Doors

**HM-3043 L-CORNER DESK**

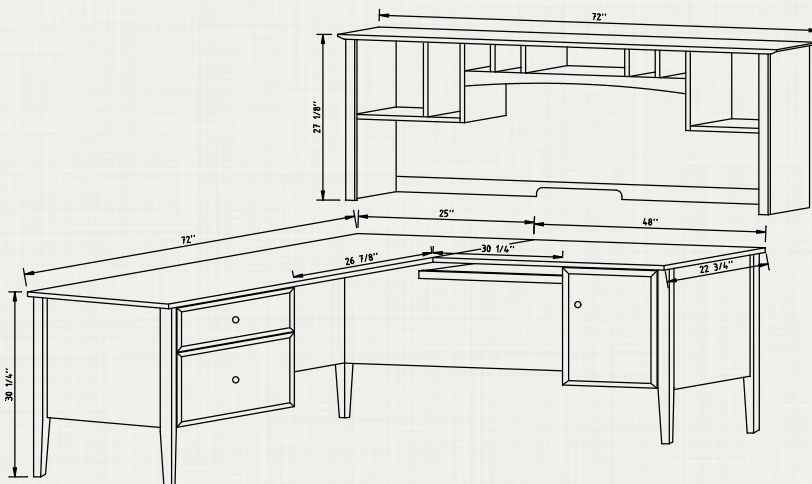
73"W x 30<sup>1</sup>/<sub>4</sub>"H x 25"D

1 Keyboard Pullout, 1 Pencil Drawer,  
1 File Drawer, Finished Back

*Standard Hardware:*

#20 Knobs

Shown in Brown Maple with OCS-111 Boston  
with #40 Knobs







**HM-3030 EXECUTIVE DESK**

63<sup>3</sup>/<sub>4</sub>"W x 30<sup>1</sup>/<sub>4</sub>"H x 30"D

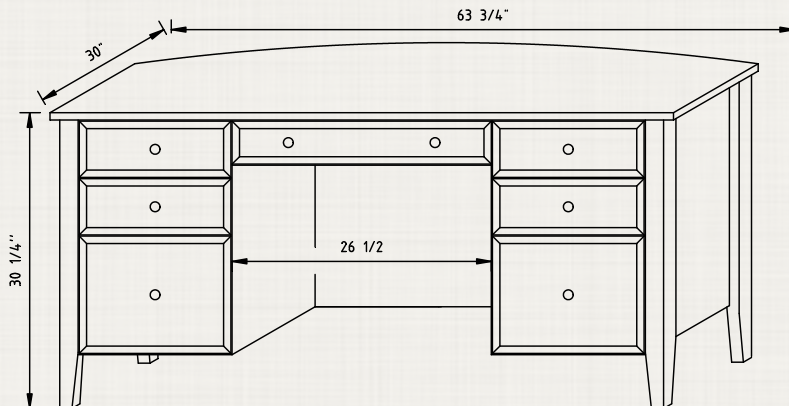
1 Keyboard Drawer, 4 Pencil Drawers

2 File Drawers, w/Finished Back

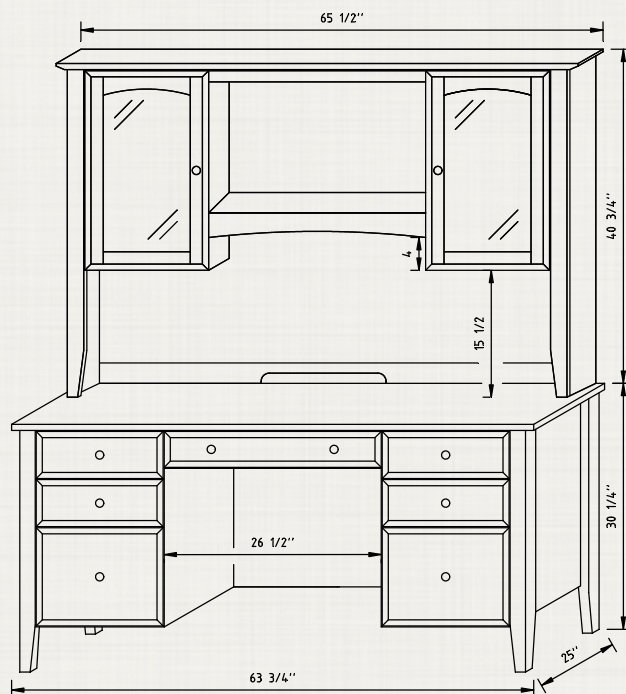
*Standard Hardware:*

#20 Knobs

*Shown in Oak with OCS-107 Washington  
and #123 Pulls*







**HM-3212 WALL UNIT HUTCH**

63<sup>3</sup>/<sub>4</sub>"W x 40<sup>3</sup>/<sub>4</sub>"H x 13<sup>3</sup>/<sub>8</sub>"D

2 Wood Shelves

Standard w/Glass Doors

**HM-3012 WALL UNIT DESK**

63<sup>3</sup>/<sub>4</sub>"W x 30<sup>1</sup>/<sub>4</sub>"H x 25"D

1 Keyboard Drawer, 4 Pencil Drawers,

2 File Drawers, w/Finished Back

*Standard Hardware:*

#20 Knobs

*Shown in Brown Maple with OCS-113 Michaels*

*and #40 Knobs*





**HM-3220 KNEEHOLE HUTCH**

48"W x 40<sup>3</sup>/<sub>4</sub>"H x 13<sup>3</sup>/<sub>8</sub>"D

2 Adj. Shelves

**HM-3020 KNEEHOLE DESK**

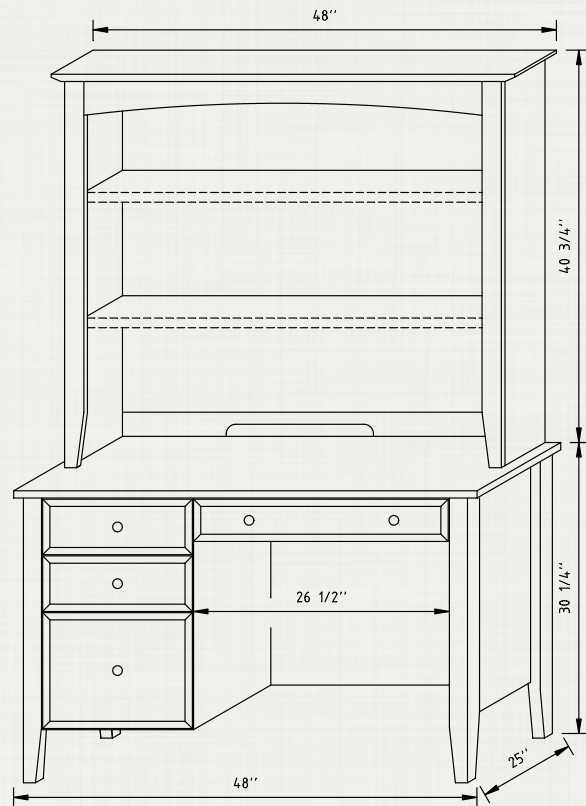
48"W x 30<sup>1</sup>/<sub>4</sub>"H x 25"D

1 Keyboard Drawer, 2 Pencil Drawers,  
1 File Drawer, w/Finished Back

*Standard Hardware:*

#20 Knobs

*Shown in Oak with OCS-104 Seely*







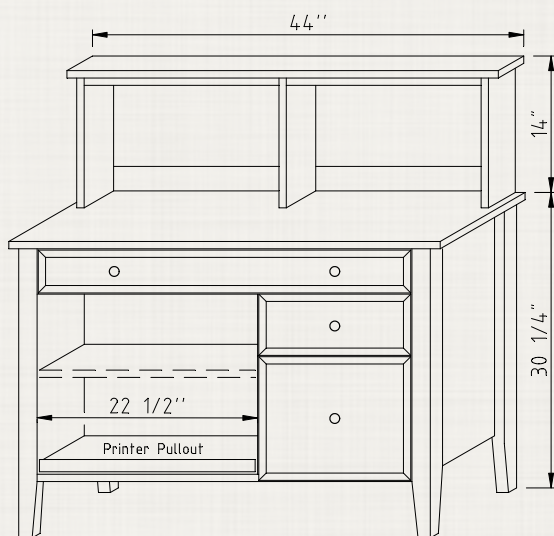
**HM-3225 CREDENZA HUTCH**  
44"W x 14"H x 10"D

**HM-3025 CREDENZA DESK**  
44"W x 30 1/4"H x 23"D  
1 Keyboard Drawer, 1 Pencil Drawer,  
1 File Drawer, 1 Printer Pullout, 1 Adj. Shelf

*Standard Hardware:*

#20 Knobs

*Shown in Brown Maple with OCS-118 Antique Slate  
and #32 Pulls*







**HM-3032 48" WRITING DESK**

48"W x 30<sup>1</sup>/<sub>4</sub>"H x 25"D

1 Keyboard Drawer

*Standard Hardware:*

#20 Knobs

*Shown in Brown Maple with OCS-117 Asbury*



**HM-3034 60" WRITING DESK**

60"W x 30<sup>1</sup>/<sub>4</sub>"H x 25"D

1 Keyboard Drawer, 2 Pencil Drawers

*Standard Hardware:*

#20 Knobs

*Shown in Brown Maple with OCS-117 Asbury*





### LIFT MECHANISM

- DESK CONTROL WITH 4 PROGRAMMABLE SETTINGS
- MADE IN USA
- 5-YEAR WARRANTY



Full Standing



### HM-3050 48" LIFT DESK

48"W x 27"H to 46"H x 25"D  
28 3/4" Wide Keyboard Drawer

#### Standard Hardware:

#15 Knobs

Shown in Brown Maple with OCS-113 Michaels

And #54 knobs



### HM-3052 60" LIFT DESK

60"W x 27"H to 46"H x 25"D  
28 3/4" Wide Keyboard Drawer

#### Standard Hardware:

#15 Knobs

Shown in Oak with MH-820-LG and #63 pull



Desk Control



White Leg Option



Silver Leg Option





**POWER GROMMET OUTLET**

2-AC/2-USB  
3 1/2" Round



*Closed*

**FLIP UP POWER OUTLET**

2-AC/2-USB  
4 3/8" x 6 3/8"





**HM-3016** LATERAL FILE

35<sup>1</sup>/<sub>4</sub>"W x 30<sup>1</sup>/<sub>4</sub>"H x 22<sup>1</sup>/<sub>2</sub>"D  
w/Finished Back

Letter or Legal Size Files

*Standard Hardware:*

#20 Knobs

*Shown in Brown Maple with OCS-229 Bing Cherry*

*Also Available:*

**HM-3216** Lateral File Hutch

35<sup>1</sup>/<sub>4</sub>"W x 40<sup>3</sup>/<sub>4</sub>"H x 13<sup>3</sup>/<sub>8</sub>"D  
2 Adj. Shelves



**HM-3017** 4-DRAWER FILE CABINET

21<sup>1</sup>/<sub>2</sub>"W x 54<sup>1</sup>/<sub>8</sub>"H x 25"D  
w/Finished Back

Letter Size Files

*Standard Hardware:*

#20 Knobs

*Shown in Brown Maple with OCS-111 Boston  
and #40 Knobs*





**HM-3019** 3-DRAWER FILE CABINET

21 $\frac{1}{2}$ "W x 42 $\frac{7}{16}$ "H x 25"D  
w/Finished Back

Letter Size Files

*Standard Hardware:*

#20 Knobs

*Shown in Brown Maple with OCS-111 Boston  
and #40 Knobs*



**HM-3018** 2 DRAWER FILE CABINET

21 $\frac{1}{2}$ "W x 30 $\frac{1}{4}$ "H x 25"D  
w/Finished Back

Letter Size Files

*Standard Hardware:*

#20 Knobs

*Shown in Brown Maple with OCS-111 Boston  
and #40 Knobs*







**HM-3072 BOOKCASE**

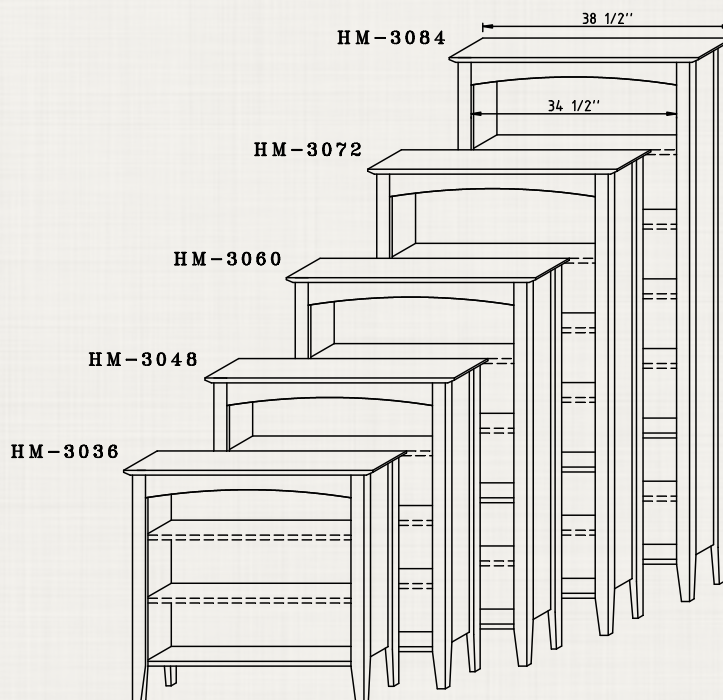
38<sup>1</sup>/<sub>2</sub>"W x 72"H x 15<sup>1</sup>/<sub>2</sub>"D

1 Fixed Shelf, 4 Adj. Shelves

*Standard Hardware:*

#20 Knobs

*Shown in Brown Maple with OCS-229 Bing Cherry  
w/Optional Wood Doors at Bottom*







**BP-2560** Bridgeport 60" Executive Desk  
60"W x 30 1/4"H x 25"D

1 Keyboard Pullout, 4 Pencil Drawers, 2 File Drawers  
Finished Back

**Standard Hardware:**

#11 Pulls

*Shown in Oak with OCS-121 Smoke w/ 10 Sheen*

**BP-2552** Bridgeport 52" Executive Desk

52"W x 30 1/4"H x 25"D

1 Keyboard Drawer, 4 Pencil Drawers, 2 File Drawers

Finished Back

**Standard Hardware:**

#11 Pulls

*Shown in Rustic Maple with OCS-104 Seely*



**BP-2548** Bridgeport 48" Kneehole Desk

48"W x 30 1/4"H x 25"D

1 Keyboard Drawer, 2 Pencil Drawers, 1 File Drawer

Finished Back

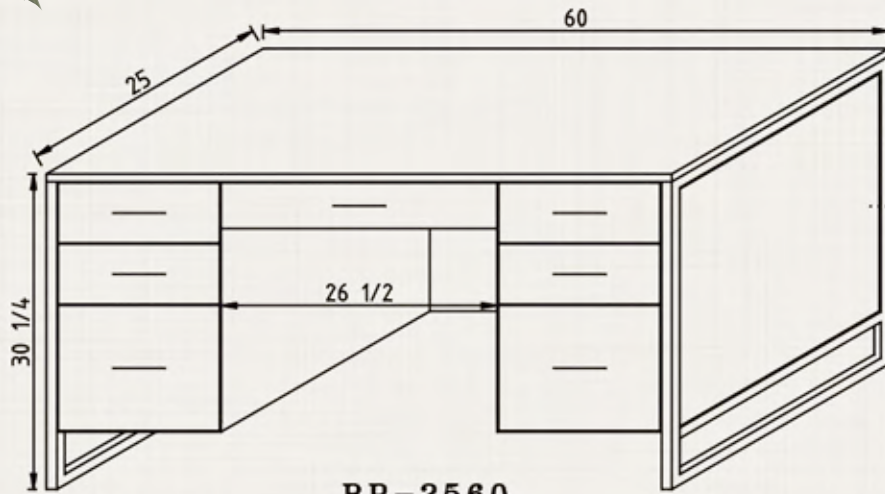
**Standard Hardware:**

#11 Pulls

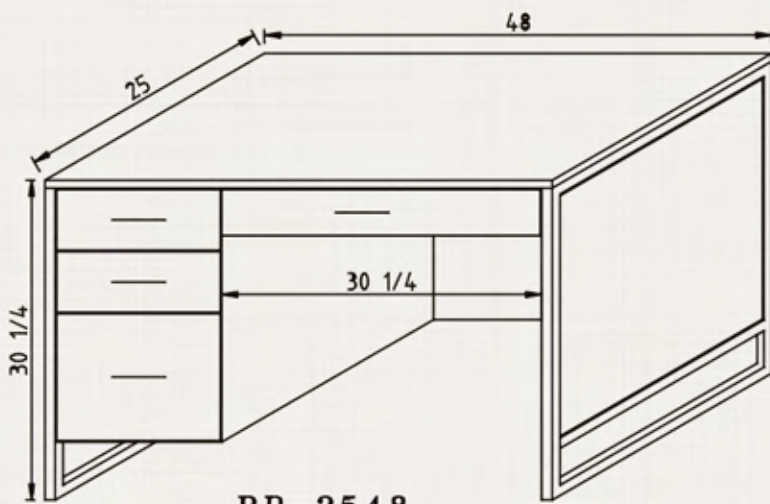
*Shown in Oak with OCS-119 Cappuccino and #22 Pulls*



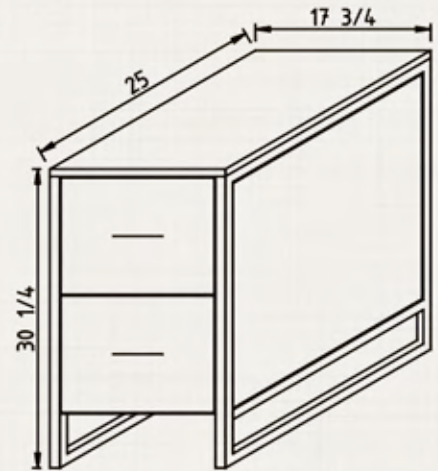




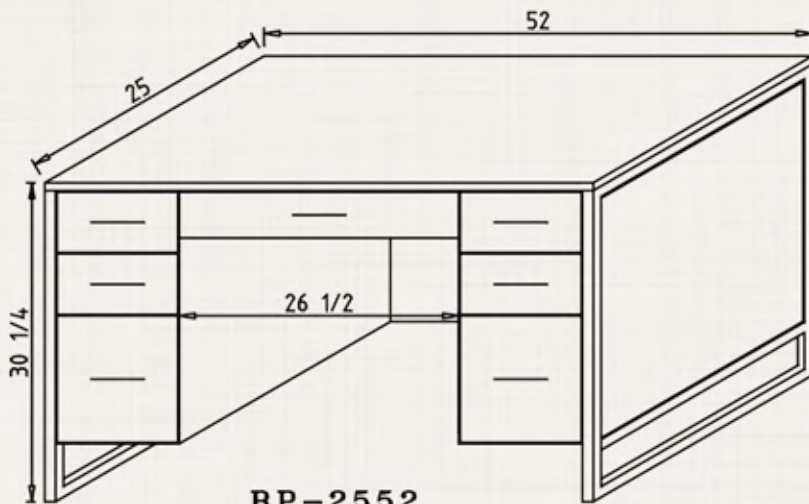
**BP-2560**



**BP-2548**



**BP-2518**



**BP-2552**



# Home Office FEATURES & OPTIONS



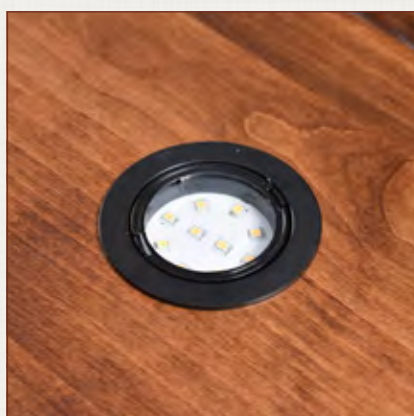
Writing Board Pullout



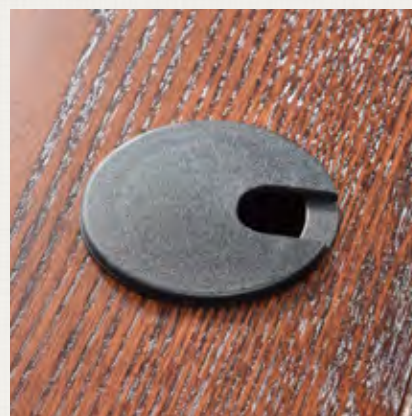
Keyboard Drawer



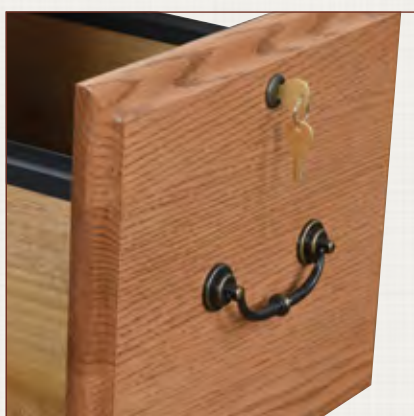
Printer Pullout



Puck Lights



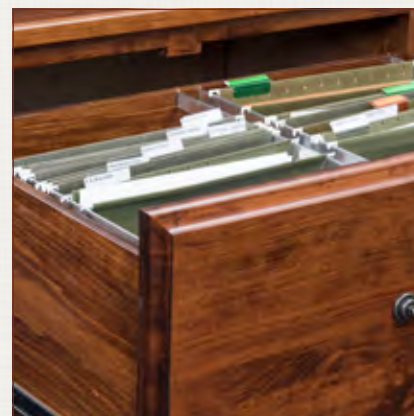
Grommet Hole in Top,  
Specify Location



Lock on Drawer



Letter/Legal File



Letter File





**POWER GROMMET OUTLET**

2-AC/2-USB

3 1/2" Round



*Closed*

**FLIP UP POWER OUTLET**

2-AC/2-USB

4 3/8" x 6 3/8"



# *Kingston* OFFICE COLLECTION







**KT-8070 HUTCH TOP**

72<sup>1</sup>/<sub>2</sub>"W x 46"H x 15<sup>1</sup>/<sub>2</sub>"D

Heights of Workspace Area in Hutch: 15<sup>3</sup>/<sub>4</sub>" to 19<sup>3</sup>/<sub>4</sub>"

5 Adj. Shelves

**KT-7270 L CORNER DESK**

70"W x 30<sup>1</sup>/<sub>4</sub>"H x 25"D

26<sup>1</sup>/<sub>2</sub>"W Kneehole

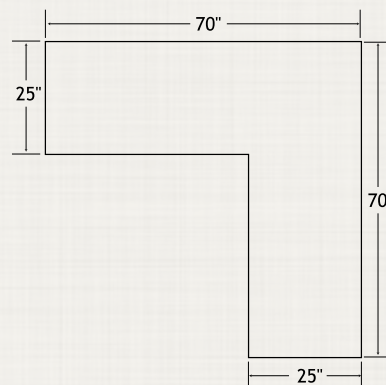
1 File Drawer, 2 Pencil Drawers, 2 Keyboard Drawer,

2 Writing Board Pullouts, 1 Door w/ 1 Adj. Shelf

*Standard Hardware:*

#18 Knobs, #19 Pulls

*Shown in Oak with OCS-113 Michaels*







**KT-7470 L CORNER DESK**

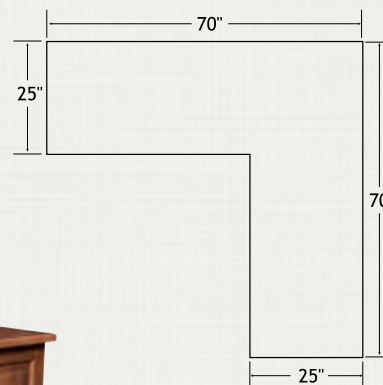
70"W x 30<sup>1</sup>/<sub>4</sub>"H x 25"D

2 File Drawer, 4 Pencil Drawers,  
2 Keyboard Drawers, 2 Writing Board Pullouts

*Standard Hardware:*

#18 Knobs, #19 Pulls

*Shown in Rustic Cherry with OCS-104 Seely  
and #40 Knobs, #41 Pulls*







**KT-8070 HUTCH TOP**

72<sup>1</sup>/<sub>2</sub>"W x 46"H x 15<sup>1</sup>/<sub>2</sub>"D

Heights of Workspace Area in Hutch: 15<sup>3</sup>/<sub>4</sub>" to 19<sup>3</sup>/<sub>4</sub>"  
5 Adj. Shelves

**KT-7070 70" EXECUTIVE DESK**

71"W x 30<sup>1</sup>/<sub>4</sub>"H x 34"D

2 File Drawers, 4 Drawers, 1 Keyboard Drawer,  
2 Writing Board Pullouts, Finished Raised Panel Back

*Standard Hardware:*

#18 Knobs, #19 Pulls

*Shown in Oak with OCS-113 Michaels*



**KT-8060 HUTCH TOP**

62<sup>1</sup>/<sub>4</sub>"W x 46"H x 15<sup>1</sup>/<sub>2</sub>"D

Heights of Workspace Area in Hutch: 15<sup>3</sup>/<sub>4</sub>" to 19<sup>3</sup>/<sub>4</sub>"  
5 Adj. Shelves

**KT-7060 60" EXECUTIVE DESK**

60<sup>3</sup>/<sub>4</sub>"W x 30<sup>1</sup>/<sub>4</sub>"H x 29"D

26<sup>1</sup>/<sub>2</sub>"W Kneehole

2 File Drawers, 4 Pencil Drawers, 1 Keyboard Drawer,  
2 Writing Board Pullouts, Finished Raised Panel Back

*Standard Hardware:*

#18 Knobs, #19 Pull

*Shown in Brown Maple with OCS-230 Onyx*







**KT-8060 HUTCH TOP**

62<sup>1</sup>/<sub>4</sub>"W x 46"H x 15<sup>1</sup>/<sub>2</sub>"D

Heights of Workspace Area in Hutch: 15<sup>3</sup>/<sub>4</sub>" to 19<sup>3</sup>/<sub>4</sub>"  
5 Adj. Shelves

**KT-7160 60" EXECUTIVE DESK**

60<sup>1</sup>/<sub>4</sub>"W x 30<sup>1</sup>/<sub>4</sub>"H x 25"D

23<sup>3</sup>/<sub>4</sub>"W Kneehole

2 File Drawers, 4 Pencil Drawers, 1 Keyboard Drawer,  
Finished Raised Panel Back

*Standard Hardware:*

#18 Knobs, #19 Pulls

*Shown in Oak with OCS-102 Fruitwood*



**KT-8155 HUTCH TOP**

58"W x 46"H x 15<sup>1</sup>/<sub>2</sub>"D

Heights of Workspace Area in Hutch: 15<sup>3</sup>/<sub>4</sub>" to 19<sup>3</sup>/<sub>4</sub>"  
5 Adj. Shelves

**KT-7155 COMPUTER DESK**

55<sup>1</sup>/<sub>2</sub>"W x 30<sup>1</sup>/<sub>4</sub>"H x 25"D

23<sup>3</sup>/<sub>4</sub>"W Kneehole

1 File Drawer, 2 Pencil Drawers,  
1 Keyboard Drawer, 1 Door w/Adj. Shelf

*Standard Hardware:*

#18 Knobs, #19 Pulls

*Shown in Cherry with OCS-113 Michaels*







**KT-8043 HUTCH TOP**

45"W x 35"H x 13"D

Heights of Workspace Area in Hutch: 16<sup>1</sup>/<sub>4</sub>" to 20<sup>1</sup>/<sub>4</sub>"  
2 Adj. Shelves

**KT-7043 KNEEHOLE DESK**

44<sup>1</sup>/<sub>2</sub>"W x 30<sup>1</sup>/<sub>4</sub>"H x 25"D

23<sup>3</sup>/<sub>4</sub>"W Kneehole

1 File Drawer, 2 Pencil Drawers,  
1 Keyboard Drawer

*Standard Hardware:*

#18 Knobs, #19 Pulls

*Shown in Oak with OCS-111 Boston*

*and #15 Knobs, #73 Pulls*



**KT-8055 HUTCH TOP**

56"W x 35"H x 13"D

Heights of Workspace Area in Hutch: 16<sup>1</sup>/<sub>4</sub>" to 20<sup>1</sup>/<sub>4</sub>"  
2 Adj. Shelves

**KT-7155 COMPUTER DESK**

55<sup>1</sup>/<sub>2</sub>"W x 30<sup>1</sup>/<sub>4</sub>"H x 25"D

23<sup>3</sup>/<sub>4</sub>"W Kneehole

1 File Drawer, 2 Pencil Drawers, 1 Keyboard Drawer,  
1 Door w/Adj. Shelf

*Standard Hardware:*

#18 Knobs, #19 Pulls

*Shown in Oak with OCS-111 Boston*

*and Optional Grommet*





**KT-9456 4-DRAWER FILE**

19<sup>1</sup>/<sub>4</sub>"W x 57"H x 25"D

Letter Size Files

*Standard Hardware:*

#19 Pulls

*Shown in Oak with OCS-111 Boston  
and P3000-R1 Pulls*



**KT-9343 3-DRAWER FILE**

19<sup>1</sup>/<sub>4</sub>"W x 43<sup>5</sup>/<sub>8</sub>"H x 25"D

Letter Size Files

*Standard Hardware:*

#19 Pulls

*Shown in Oak with OCS-102 Fruitwood  
with Lock Option*





**KT-9230** 2-DRAWER FILE

19<sup>1</sup>/<sub>4</sub>"W x 30<sup>1</sup>/<sub>4</sub>"H x 25"D

Letter Size Files

*Standard Hardware:*

#19 Pulls

*Shown in Oak with OCS-111 Boston  
and #73 Pulls*



**KT-9233** 2-DRAWER LATERAL FILE

33<sup>1</sup>/<sub>2</sub>"W x 30<sup>1</sup>/<sub>4</sub>"H x 20<sup>1</sup>/<sub>2</sub>"D

Letter or Legal Size Files

*Standard Hardware:*

#19 Pulls

*Shown in Rustic Cherry with OCS-113 Michaels  
with Lock Option*



**KT-9462** 4-DRAWER LATERAL FILE

63<sup>1</sup>/<sub>2</sub>"W x 30<sup>1</sup>/<sub>4</sub>"H x 20<sup>1</sup>/<sub>2</sub>"D

Letter or Legal Size Files

*Standard Hardware:*

#19 Pulls

*Shown in Rustic Cherry with OCS-113 Michaels  
with Lock Option*



# *Linwood* OFFICE COLLECTION







**LW-8870 HUTCH TOP**

70"W x 36"H x 14"D

Heights of Workspace Area in Hutch: 15<sup>3</sup>/<sub>4</sub>" to 19<sup>1</sup>/<sub>2</sub>"  
2 Adj. Shelves

**LW-7870 L CORNER DESK**

70"W x 30<sup>1</sup>/<sub>4</sub>"H x 25<sup>1</sup>/<sub>2</sub>"D

2 File Drawers, 4 Pencil Drawers,  
2 Keyboard Drawers, Finished Back

*Standard Hardware:*

#20 Knobs, #22 Pulls

*Shown in Oak with OCS-109 S-12  
and #54 Knobs, #55 Pulls*







**LW-8860 HUTCH TOP**

60"W x 36"H x 14"D

Heights of Workspace Area in Hutch: 15<sup>3</sup>/<sub>4</sub>" to 19<sup>1</sup>/<sub>2</sub>"  
2 Adj. Shelves

**LW-7860 60" EXECUTIVE DESK**

60"W x 30<sup>1</sup>/<sub>4</sub>"H x 25<sup>1</sup>/<sub>2</sub>"D

21<sup>1</sup>/<sub>2</sub>"W Kneehole  
2 File Drawers, 4 Pencil Drawers,  
1 Keyboard Drawer, Finished Back

*Standard Hardware:*

#20 Knobs, #22 Pulls

*Shown in Brown Maple with OCS-228 Rich Tobacco  
and #64 Knobs, #65 Pulls*

**LW-8848 HUTCH TOP**

50"W x 36"H x 14"D

Heights of Workspace Area in Hutch: 15<sup>3</sup>/<sub>4</sub>" to 19<sup>1</sup>/<sub>2</sub>"  
2 Adj. Shelves

**LW-7848 50" EXECUTIVE DESK**

50"W x 30<sup>1</sup>/<sub>4</sub>"H x 25<sup>1</sup>/<sub>2</sub>"D

21<sup>1</sup>/<sub>2</sub>"W Kneehole  
2 File Drawers, 4 Pencil Drawers, 1 Keyboard Drawer

*Standard Hardware:*

#20 Knobs, #22 Pulls

*Shown in Brown Maple with OCS-113 Michaels*







**LW-8960** PIGEON HOLE HUTCH

60"W x 17"H x 13"D

Pigeon Hole Sizes: 4 $\frac{1}{2}$ "W x 13"H x 10"D

2 Adj. Shelves

**LW-7660** 60" COMPUTER CREDENZA

60"W x 30 $\frac{1}{4}$ "H x 20"D

2 File Drawers, 1 Keyboard Drawer,

1 Adj. Shelf

*Standard Hardware:*

#20 Knobs, #22 Pulls

*Shown in Brown Maple with OCS-119 Cappuccino  
and #40 Knobs, #41 Pulls*



**LW-7852** KNEEHOLE DESK

52"W x 30 $\frac{1}{4}$ "H x 25 $\frac{1}{2}$ "D

29 $\frac{3}{4}$ " Wide Kneehole

File Drawer, 2 Pencil Drawers, 1 Keyboard Drawer

*Standard Hardware:*

#20 Knobs & #22 Pulls

*Brown Maple with OCS-113 Michaels  
and #1586 ORB Knobs*

**LW-7844** KNEEHOLE DESK

43 $\frac{3}{4}$ "W x 30 $\frac{1}{4}$ "H x 25 $\frac{1}{2}$ "D

21 $\frac{1}{2}$ "W Kneehole

1 File Drawer, 2 Pencil Drawers, 1 Keyboard Drawer

*Standard Hardware:*

#20 Knobs, #22 Pulls

*Shown in Brown Maple with OCS-117 Asbury-M  
and #42 Pulls*







**LW-7748** 48" WRITING DESK

48"W x 30<sup>1</sup>/<sub>4</sub>"H x 25<sup>1</sup>/<sub>2</sub>"D  
1 Keyboard Drawer

*Standard Hardware:*

#20 Knob

*Shown in Brown Maple with OCS-119 Cappuccino  
and #40 Knob*

**LW-7760** 60" WRITING DESK

60"W x 30<sup>1</sup>/<sub>4</sub>"H x 25<sup>1</sup>/<sub>2</sub>"D  
1 Keyboard Drawer

*Standard Hardware:*

#20 Knob

*Shown in Brown Maple with OCS-120 Husk  
and #42 Pull*



**LW-7348** 48" WRITING DESK

50"W x 30<sup>1</sup>/<sub>4</sub>"H x 25<sup>1</sup>/<sub>2</sub>"D  
21<sup>1</sup>/<sub>2</sub>"W Knee hole  
1 File Drawer, 2 Pencil Drawers, 1 Keyboard Drawer

*Standard Hardware:*

#20 Knobs

#22 Pulls

*Shown in Brown Maple with OCS-113 Michaels  
and #54 Knobs*





**LW-7360** 60" WRITING DESK

60"W x 30<sup>1</sup>/<sub>4</sub>"H x 25<sup>1</sup>/<sub>2</sub>"D

21<sup>1</sup>/<sub>2</sub>"W Knee hole

1 File Drawer, 2 Pencil Drawers, 1 Keyboard Drawer

*Standard Hardware:*

Knob #20, Pull #22

*Shown in QWO with OCS-111 Boston  
and #40 Knob, #42 Pulls*



**LW-7560** STANDING DESK

60"W x 43"H x 25<sup>1</sup>/<sub>2</sub>"D

21<sup>1</sup>/<sub>2</sub>"W Knee hole

2 File Drawers, 4 Pencil Drawers, 1 Keyboard Drawer

*Standard Hardware:*

#20 Knob, #22 Pulls

*Shown in Brown Maple with OCS-343 Black Stain Rub  
Through OCS-113 Michaels*



# *Linwood* OFFICE COLLECTION



**LW-7725** CORNER TABLE

25 $\frac{1}{2}$ "W x 30 $\frac{1}{4}$ "H x 25 $\frac{1}{2}$ "D

*Shown in Brown Maple with OCS-228 Rich Tobacco*



**LW-7230** 2-DRAWER FILE

20 $\frac{1}{4}$ "W x 30 $\frac{1}{4}$ "H x 25 $\frac{1}{2}$ "D

Letter Size Files

*Standard Hardware:*

#22 Pulls

*Shown in Brown Maple with OCS-120 Husk  
and #42 Pulls*



**LW-7720** CORNER TABLE

25 $\frac{1}{2}$ "W x 30 $\frac{1}{4}$ "H x 20"D

*Shown in Brown Maple with OCS-119 Cappuccino*



**LW-7233** 2-DRAWER LATERAL FILE

35 $\frac{1}{2}$ "W x 30 $\frac{1}{4}$ "H x 20"D

Letter or Legal Size Files

*Standard Hardware:*

#22 Pulls

*Shown in Brown Maple with OCS-225 Mission Maple  
and #41 Pulls*





**LW-7456 4-DRAWER FILE**

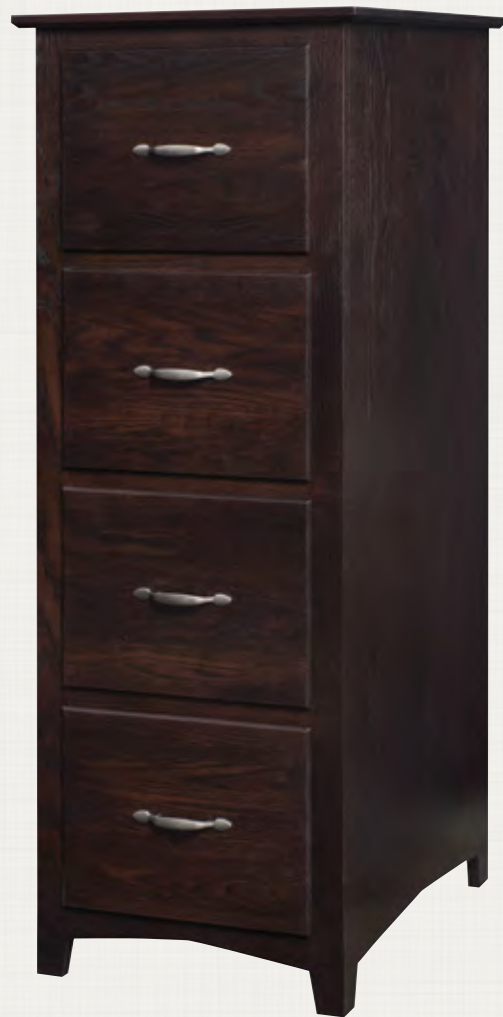
20<sup>1</sup>/<sub>4</sub>"W x 55<sup>1</sup>/<sub>4</sub>"H x 25<sup>1</sup>/<sub>2</sub>"D

Letter Size Files

*Standard Hardware:*

#22 Pulls

*Shown in Oak with OCS-230 Onyx  
and #32 Pulls*



**LW-7343 3-DRAWER FILE**

20<sup>1</sup>/<sub>4</sub>"W x 43<sup>3</sup>/<sub>4</sub>"H x 25<sup>1</sup>/<sub>2</sub>"D

Letter Size Files

*Standard Hardware:*

#22 Pulls

*Shown in Brown Maple with OCS-116 Harvest*



# Home Office FEATURES & OPTIONS



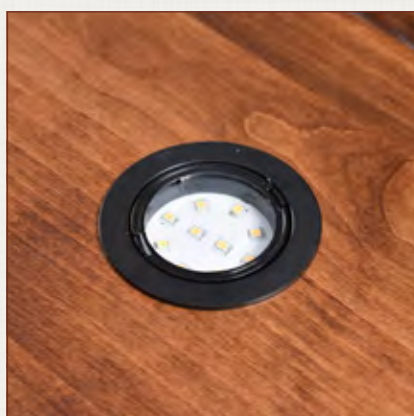
Writing Board Pullout



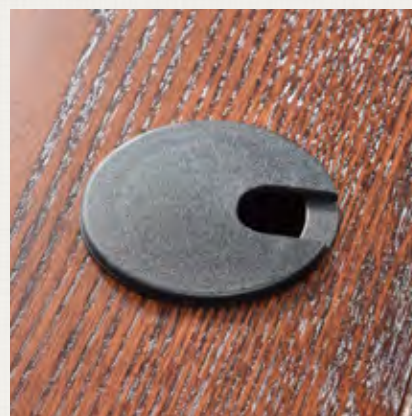
Keyboard Drawer



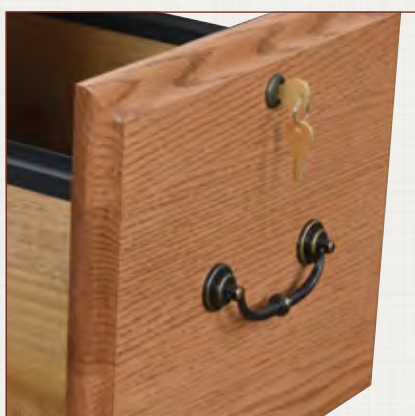
Printer Pullout



Puck Lights



Grommet Hole in Top,  
Specify Location



Lock on Drawer



Letter/Legal File



Letter File





# *Bookcases* COLLECTION



**BROOKLYN COLLECTION..... 64**



**HENRY STEPHENS COLLECTION..... 68**



**FINLEY COLLECTION..... 70**



**HAMPTON COLLECTION..... 75**



**KINGSTON COLLECTION..... 76**



**LINWOOD COLLECTION..... 80**



**SOUTHAMPTON WALL UNIT..... 82**



# Brooklyn BOOKCASES



**BB-3084**

**BB-3072**

**BB-3060**

**BB-3048**

**BB-3036**

**BB-3036 36" BOOKCASE**

34"W x 36"H x 15"D  
2 Adj. Shelves

**BB-3048 48" BOOKCASE**

34"W x 48"H x 15"D  
3 Adj. Shelves

**BB-3060 60" BOOKCASE**

34"W x 60"H x 15"D  
3 Adj. Shelves & 1 Fixed Shelf **12" INSIDE DEPTH**

**BB-3072 72" BOOKCASE**

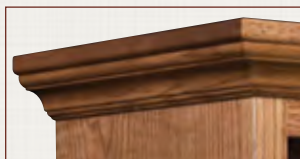
34"W x 72"H x 15"D  
4 Adj. Shelves & 1 Fixed Shelf

**BB-3084 84" BOOKCASE**

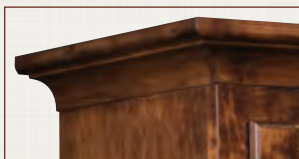
34"W x 84"H x 15"D  
5 Adj. Shelves & 1 Fixed Shelf

*Shown in Oak with OCS-113 Michaels*

**BROOKLYN BOOKCASE STYLE OPTIONS**



**A-STYLE**



**B-STYLE**



**C-STYLE**



**D-STYLE**







**BB-3636 36" BOOKCASE**

40"W x 36"H x 15"D  
2 Adj. Shelves

**BB-3648 48" BOOKCASE**

40"W x 48"H x 15"D  
3 Adj. Shelves

**BB-3660 60" BOOKCASE**

40"W x 60"H x 15"D  
3 Adj. Shelves & 1 Fixed Shelf

**BB-3672 72" BOOKCASE**

40"W x 72"H x 15"D  
4 Adj. Shelves & 1 Fixed Shelf

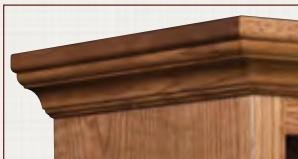
**BB-3684 84" BOOKCASE**

40"W x 84"H x 15"D  
5 Adj. Shelves & 1 Fixed Shelf

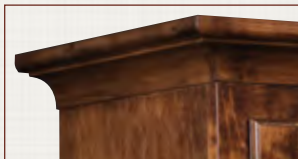
*Shown in Brown Maple with OCS-117 Asbury*

**12" INSIDE DEPTH**

**BROOKLYN BOOKCASE STYLE OPTIONS**



**A-STYLE**



**B-STYLE**



**C-STYLE**



**D-STYLE**







**3 BB-3684SS** BOOKCASES TO CREATE A WALL UNIT

112"W x 84"H x 15"D

15 Adj. Shelves

*Standard Hardware:*

Wood Knobs

*Shown in Brown Maple with OCS-119 Cappuccino  
and #15 Knobs w/ Optional Wood Doors on Bottom*

**CREATE YOUR OWN WALL UNIT:**

USE ANY COMBINATION OF BOOKCASES  
TO FIT YOUR NEEDS, YOUR STYLE AND YOUR ROOM!





**3-PC. BROOKLYN WALL UNIT**

Overall: 100"W x 84"H x 18"D

Center Bookcase: **BB-3684** (Custom 3" Deeper)

Outside Bookcase: **BB3072**

13 Adj. Shelves

*Standard Hardware:*

Wood Knobs

*Shown in Brown Maple with OCS-342 Country White, OCS-117 Asbury  
w/Optional Wood Doors on Bottom and Beadboard Back*





**HS-9072** BOOKCASE

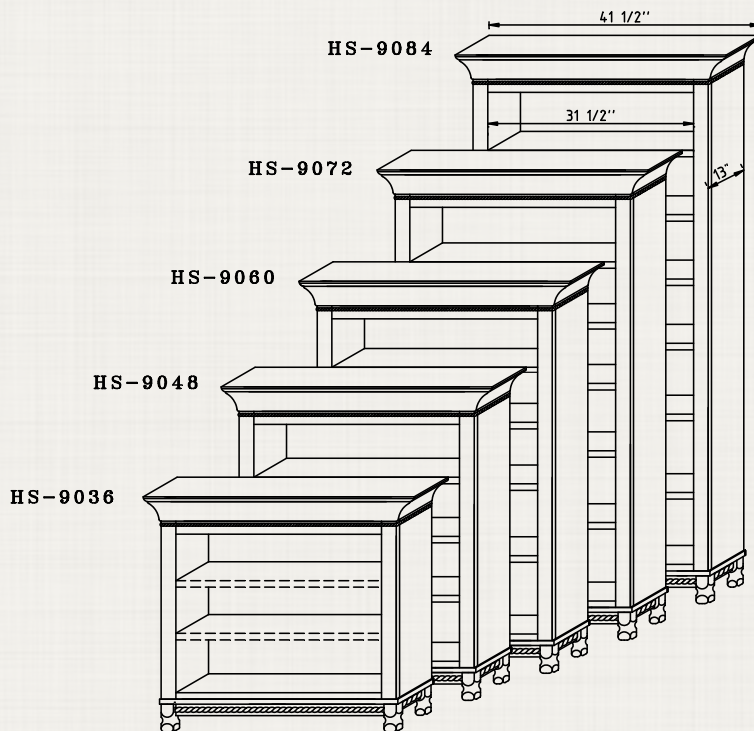
41½"W x 72"H x 15½"D

12" Inside Depth

*Shown in Rustic Cherry with OCS-113 Michaels  
w/Optional Wood Doors on Bottom*



*Without Doors*







**HS-9013 3-PIECE BOOKCASE W/2 DOORS**

100"W x 82"H x 18<sup>3</sup>/<sub>4</sub>"D  
3 Fixed Shelves, 9 Adj. Shelves  
12" to 16" Inside Depth

*Standard Hardware:*

#120 Knobs

*Shown in Cherry with OCS-108 S-14*

*Also Available*

**HS-9013-LF 3-Piece Bookcase w/2 Lateral File Drawers**







**FL-9072 BOOKCASE**

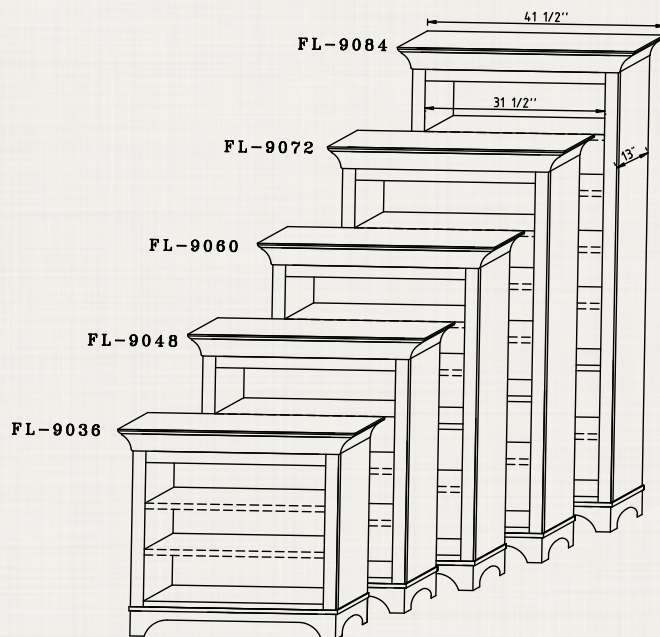
41 1/2" W x 72" H x 15 1/2" D

12" Inside Depth

*Shown in Rustic Cherry with OCS-113 Michaels  
w/Optional Wood Doors on Bottom*



*Without Doors*







**FL-9013 3-PIECE BOOKCASE W/2 DOORS**

100"W x 82"H x 18<sup>3</sup>/<sub>4</sub>"D  
 3 Fixed Shelves, 9 Adj. Shelves  
 12" to 16" Inside Depth

*Standard Hardware:*  
 #120 Knobs

*Shown in Cherry with OCS-108 S-14*

*Also Available*

**FL-9013-LF 3-Piece Bookcase w/2 Lateral File Drawers**







**FL-9094 BOOKCASE**

41½"W x 94"H x 15¾"D  
W/ 5 Adjustable Shelves

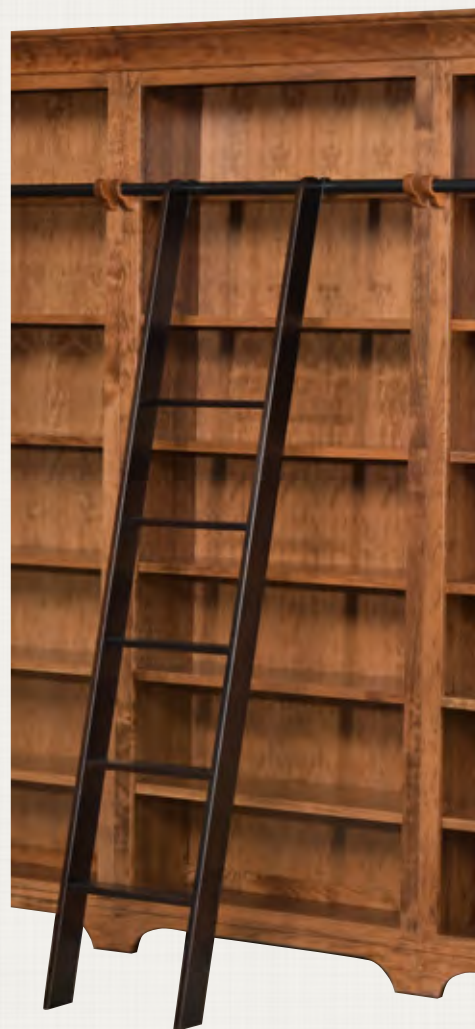
*Standard Hardware:*

#120 Knobs

*Shown in Brown Maple W/ RNC-1193 Seaside Blue*

*Back in RNC-1192 Water Fall*

*W/ Optional Enclosed Base and G-Style Crown*

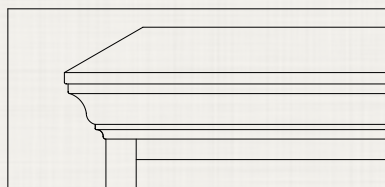


**LIBRARY LADDER**

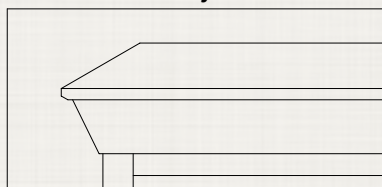
16"W x 81<sup>7</sup>/<sub>16</sub>"H x 3<sup>1</sup>/<sub>2</sub>"D

*Shown in Brown Maple W/ FC-11047 Ebony*

**Style# G**



**Style# H**



**Crown Options**





**FL-9094 3 PIECE BOOKCASE**

113 $\frac{1}{2}$ "W x 94"H x 15 $\frac{3}{4}$ "D

w/ 3 Fixed Shelves & 15 Adjustable Shelves

12" Inside Depth

*Standard Hardware:*

#120 Knobs

Shown in Sap Cherry W/ FC-42000 Almond

Ladder in Brown Maple W/ FC-11047 Ebony

W/ Optional Raised Panel Sides, Bars, and Ladder

Shown W/ Standard Finley Base and Crown Molding

**\*See Price list for Additional  
Options**



# Bookcases OPTIONAL FEATURES



Connector Bolts



Puck Lights



Beadboard Back



Door Options



Door Options





**HM-3072 BOOKCASE**

38 1/2"W x 72"H x 15 1/2"D

1 Fixed Shelf, 4 Adj. Shelves

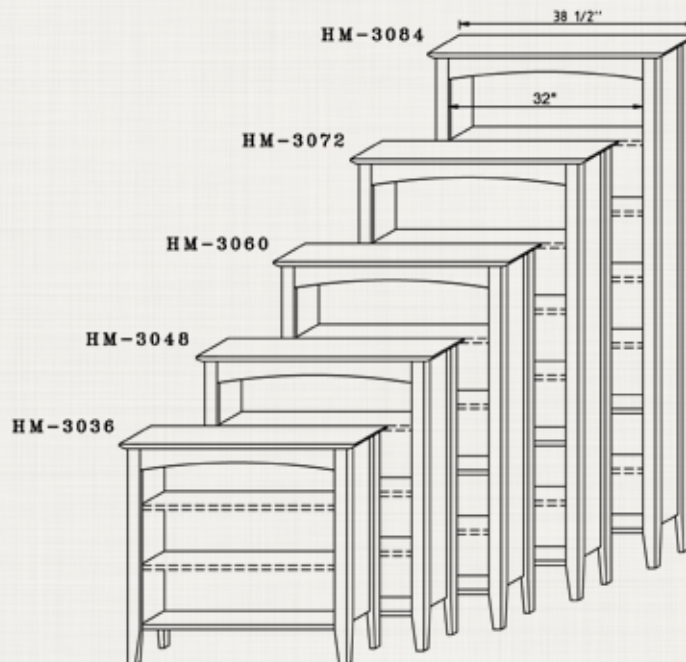
12" Inside Depth

*Standard Hardware:*

#20 Knobs

*Shown in Brown Maple with OCS-229 Bing Cherry*

*w/Optional Wood Doors at Bottom*







**KT-3084**

**KT-3072**

**KT-3060**

**KT-3048**

**KT-3036**

**KT-3036 36" BOOKCASE**

30"W x 36"H x 14<sup>1</sup>/<sub>2</sub>"D  
2 Adj. Shelves

*Shown in Brown Maple with OCS-116 Harvest*

**KT-3048 48" BOOKCASE**

30"W x 48"H x 14<sup>1</sup>/<sub>2</sub>"D  
3 Adj. Shelves

*Shown in Brown Maple with OCS-225 Mission Maple*

**KT-3060 60" BOOKCASE**

30"W x 60"H x 14<sup>1</sup>/<sub>2</sub>"D  
3 Adj. Shelves & 1 Fixed Shelf

*Shown in Brown Maple with OCS-225 Mission Maple*

**KT-3072 72" BOOKCASE**

30"W x 72"H x 14<sup>1</sup>/<sub>2</sub>"D  
4 Adj. Shelves & 1 Fixed Shelf

*Shown in Brown Maple with OCS-113 Michaels*

**KT-3084 84" BOOKCASE**

30"W x 84"H x 14<sup>1</sup>/<sub>2</sub>"D  
5 Adj. Shelves & 1 Fixed Shelf

*Shown in Brown Maple with OCS-113 Michaels*

**12" INSIDE DEPTH**





**KT-3060D 60" BOOKCASE  
W/BOTTOM DOORS**

30"W x 60"H x 14<sup>1</sup>/<sub>2</sub>"D  
2 Adj. Shelves & 1 Behind Doors

*Standard Hardware:*

#18 Knobs

*Shown in Brown Maple with  
OCS-225 Mission Maple and #40 Knobs*



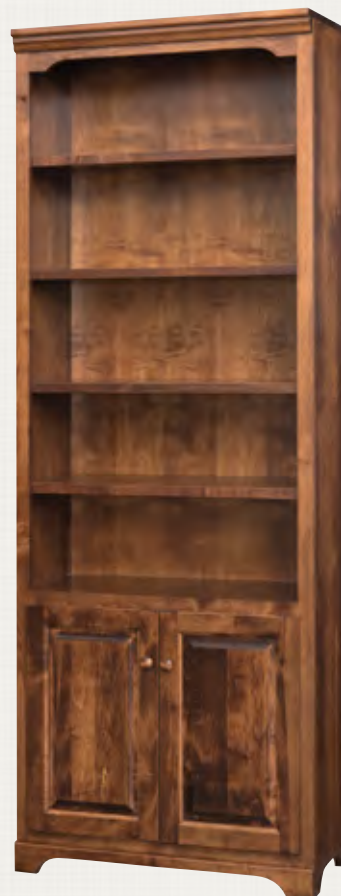
**KT-3072D 72" BOOKCASE  
W/BOTTOM DOORS**

30"W x 72"H x 14<sup>1</sup>/<sub>2</sub>"D  
3 Adj. Shelves & 1 Behind Doors

*Standard Hardware:*

#18 Knobs

*Shown in Brown Maple with  
OCS-228 Rich Tobacco and #20 Knobs  
12" Inside Depth*



**KT-3084D 84" BOOKCASE  
W/BOTTOM DOORS**

30"W x 84"H x 14<sup>1</sup>/<sub>2</sub>"D  
4 Adj. Shelves & 1 Behind Doors

*Standard Hardware:*

#18 Knobs

*Shown in Brown Maple with  
OCS-113 Michaels and #9 Knobs*

**12" INSIDE DEPTH**





**KT-3684**

**KT-3672**

**KT-3660**

**KT-3648**

**KT-3636**

**KT-3636 36" BOOKCASE**

40"W x 36"H x 15"D  
2 Adj. Shelves

*Shown in Rustic Cherry with OCS-113 Michaels*

**KT-3648 48" BOOKCASE**

40"W x 48"H x 15"D  
3 Adj. Shelves

*Shown in Rustic Cherry with OCS-113 Michaels*

**KT-3660 60" BOOKCASE**

40"W x 60"H x 15"D  
3 Adj. Shelves & 1 Fixed Shelf

*Shown in Oak with OCS-116 Harvest*

**KT-3672 72" BOOKCASE**

40"W x 72"H x 15"D  
4 Adj. Shelves & 1 Fixed Shelf

*Shown in Oak with OCS-116 Harvest*

**KT-3684 84" BOOKCASE**

40"W x 84"H x 15"D  
5 Adj. Shelves & 1 Fixed Shelf

*Shown in Oak with OCS-116 Harvest*

*12" Inside Depth*

**12" INSIDE DEPTH**





**KT-3660D 60" BOOKCASE  
W/BOTTOM DOORS**

40"W x 60"H x 15"D  
2 Adj. Shelves & 1 Behind Doors

*Standard Hardware:*  
#18 Knobs

*Shown in Brown Maple with  
OCS-118 Antique Slate and #52 Knobs*



**KT-3672D 72" BOOKCASE  
W/BOTTOM DOORS**

40"W x 72"H x 15"D  
3 Adj. Shelves & 1 Behind Doors

*Standard Hardware:*  
#18 Knobs

*Shown in Oak with OCS-113 Michaels*



**KT-3684D 84" BOOKCASE  
W/BOTTOM DOORS**

40"W x 84"H x 15"D  
4 Adj. Shelves & 1 Behind Doors

*Standard Hardware:*  
#18 Knobs

*Shown in Oak with OCS-113 Michaels*

**12" INSIDE DEPTH**



# Linwood BOOKCASES



**LW-4284**

**LW-4272**

**LW-4260**

**LW-4248**

**LW-4236**

## **LW-4236 36" BOOKCASE**

44½"W x 36"H x 14¼"D  
2 Adj. Shelves

*Shown in Brown Maple with OCS-342 Country White*

## **LW-4248 48" BOOKCASE**

44½"W x 48"H x 14¼"D  
3 Adj. Shelves

*Shown in Oak with OCS-117 Asbury*

## **LW-4260 60" BOOKCASE**

44½"W x 60"H x 14¼"D  
3 Adj. Shelves & 1 Fixed Shelf

*Shown in Brown Maple with OCS-113 Michaels*

## **LW-4272 72" BOOKCASE**

44½"W x 72"H x 14¼"D  
4 Adj. Shelves & 1 Fixed Shelf

*Shown in Oak with OCS-102 Fruitwood*

## **LW-4284 84" BOOKCASE**

44½"W x 84"H x 14¼"D  
5 Adj. Shelves & 1 Fixed Shelf

*Shown in Rustic Cherry with OCS-113 Michaels*





**LW-4260D 60" BOOKCASE  
W/BOTTOM DOORS**

44 $\frac{1}{2}$ "W x 60"H x 14 $\frac{1}{4}$ "D  
2 Adj. Shelves & 1 Behind Doors

*Standard Hardware:*

#20 Knobs

*Shown in Brown Maple with  
OCS-113 Michaels*



**LW-4272D 72" BOOKCASE  
W/BOTTOM DOORS**

44 $\frac{1}{2}$ "W x 72"H x 14 $\frac{1}{4}$ "D  
3 Adj. Shelves & 1 Behind Doors

*Standard Hardware:*

#20 Knobs

*Shown in Brown Maple with  
OCS-113 Michaels*



**LW-4284D 84" BOOKCASE  
W/BOTTOM DOORS**

44 $\frac{1}{2}$ "W x 84"H x 14 $\frac{1}{4}$ "D  
4 Adj. Shelves & 1 Behind Doors

*Standard Hardware:*

#20 Knobs

*Shown in Brown Maple with  
OCS-113 Michaels*

**12" INSIDE DEPTH**



# Southampton WALL UNIT



## 5-PC. SOUTHAMPTON WALL UNIT

Overall: 102<sup>1</sup>/<sub>4</sub>"W x 84"H x 18<sup>3</sup>/<sub>8</sub>"D

From Left to Right: SA-2040 – SA-2000 – SA-2040 – SA-2020 – SA-2010

4 Adj. Shelves per Unit

15" Inside Depth

### *Standard Hardware:*

#15 Knobs

*Shown in Brown Maple with OCS-341 White w/Glaze,*

*w/Optional Glass Top Doors, Glass Shelves, and 2-LED Puck Lights w/Dimmer*

**\* ORDER WALL UNITS CONFIGURATIONS IN ORDER FORM LEFT TO RIGHT**

### **CREATE YOUR OWN WALL UNIT:**

USE ANY COMBINATION OF UNITS TO FIT YOUR NEEDS AND YOUR ROOM!



# TV Consoles AT-A-GLANCE



**KINGSTON COLLECTION.....84**



**LINWOOD COLLECTION.....88**



**ROCKFORD COLLECTION.....96**



**MAYWOOD COLLECTION.....100**



**NORWAY COLLECTION.....104**



# Kingston TV CONSOLE COLLECTION



## **KT-4625** 46" TV CONSOLE

46"W x 25"H x 20"D

Soundbar Opening: 5<sup>3</sup>/<sub>4</sub>"H x 40"W

### *Standard Hardware:*

#52 Knobs

*Shown in Oak with OCS-112 Provincial*

*Available with wood or glass doors- no extra charge*

*Standard as shown*



## **KT-5625** 56" TV CONSOLE

56"W x 25"H x 20"D

4 Adj. Shelves

### *Standard Hardware:*

#52 Knobs

*Shown in Brown Maple with OCS-228 Rich Tobacco  
and #56 Knobs*

*Available with wood or glass doors- no extra charge*

*Standard as shown*



**KT-3633 36" TV CONSOLE**

36"W x 33"H x 20"D  
 Soundbar Opening: 5<sup>3</sup>/<sub>4</sub>"H x 30"W  
 1 Adj. Shelf

*Standard Hardware:*  
 #52 Knobs

*Shown in Oak with OCS-104 Seely*  
 Available with wood or glass doors- no extra charge  
 Standard as shown



**KT-4633 46" TV CONSOLE**

46"W x 33"H x 20"D  
 1 Adj. Shelves

*Standard Hardware:*  
 #52 Knobs

*Shown in Brown Maple with OCS-230 Onyx*  
 Available with wood or glass doors- no extra charge  
 Standard as shown

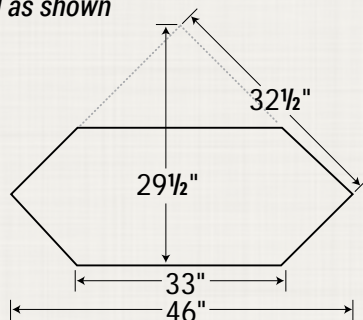
**KT-4633C 46" CORNER TV CONSOLE**

46"W x 33"H x 20"D  
 2 Adj. Shelves

*Standard Hardware:*  
 #52 Knobs

*Shown in Brown Maple with OCS-225 Mission Maple*  
 and #15 Knobs

*Available with wood or glass doors- no extra charge*  
 Standard as shown





# Kingston TV CONSOLE COLLECTION



## **KT-5633** 56" TV CONSOLE

56"W x 33"H x 20"D  
6 Adj. Shelves

### *Standard Hardware:*

#52 Knobs

*Shown in Oak with OCS-113 Michaels*

*Available with wood or glass doors- no extra charge  
Standard as shown*



## **KT-6833** 68" TV CONSOLE

68"W x 33"H x 20"D  
6 Adj. Shelves

### *Standard Hardware:*

#52 Knobs

*Shown in Brown Maple with OCS-113 Michaels  
and #15 Knobs*

*Available with wood or glass doors- no extra charge  
Standard as shown*





**KT-8080 HUTCH TOP**

82"W x 49"H x 16"D

56" Opening

7 Adj. Shelves

**KT-8033 80" TV CONSOLE**

80"W x 33"H x 20"D

6 Adj. Shelves

*Standard Hardware:*

#52 Knobs

*Shown in Brown Maple with OCS-113 Michaels  
with #18 Knobs*

*Available with wood or glass doors- no extra charge  
Standard as shown*



# Linwood TV CONSOLE COLLECTION



## **LW-4030** 40" TV CONSOLE

40"W x 30<sup>1</sup>/<sub>4</sub>"H x 16"D

Soundbar Opening: 5<sup>3</sup>/<sub>4</sub>"H x 34"W

### *Standard Hardware:*

#20 Knobs

*Shown in Brown Maple with OCS-113 Michaels*

*Available with wood or glass doors- no extra charge*

*Standard as shown*

## **LW-5030** 50" TV CONSOLE

50"W x 30<sup>1</sup>/<sub>4</sub>"H x 16"D

Soundbar Opening: 5<sup>3</sup>/<sub>4</sub>"H x 44"W

### *Standard Hardware:*

#20 Knobs

*Shown in Oak with OCS-116 Harvest  
and #56 Knob*

*Available with wood or glass doors- no extra charge*

*Standard as shown*



## **LW-6030** 60" TV CONSOLE

60"W x 30<sup>1</sup>/<sub>4</sub>"H x 16"D

Soundbar Opening: 5<sup>3</sup>/<sub>4</sub>"H x 54"W

### *Standard Hardware:*

#20 Knobs

*Shown in Brown Maple with  
OCS-225 Mission Maple and #30 Knobs*

*Available with wood or glass doors- no extra charge*

*Standard as shown*



# Linwood TV CONSOLE COLLECTION

## LW-7970 70" HUTCH TOP

70"W x 50"H x 12"D  
46" Opening  
7 Adj. Shelves

## LW-7030 70" TV CONSOLE

70"W x 30<sup>1</sup>/<sub>4</sub>"H x 16"D  
Soundbar Opening: 5<sup>3</sup>/<sub>4</sub>"H x 38"W  
2 Adj. Shelves

### *Standard Hardware:*

#20 Knobs

*Shown in Brown Maple with OCS-228 Rich Tobacco  
and #15 Knobs*

*Available with wood or glass doors- no extra charge  
Standard as shown*



## LW-8980 80" HUTCH TOP

80"W x 50"H x 12"D  
56" Opening  
7 Adj. Shelves

## LW-8030 80" TV CONSOLE

80"W x 30<sup>1</sup>/<sub>4</sub>"H x 16"D  
Soundbar Opening: 5<sup>3</sup>/<sub>4</sub>"H x 38"W  
2 Adj. Shelves

### *Standard Hardware:*

#20 Knobs

*Shown in Brown Maple with OCS-111 Boston*

*Available with wood or glass doors- no extra charge  
Standard as shown*



# Linwood TV CONSOLE COLLECTION



## **LW-75030** 50" TV CONSOLE

50"W x 30<sup>1</sup>/<sub>4</sub>"H x 16"D

Soundbar Opening: 5<sup>3</sup>/<sub>4</sub>"H x 18"W

### *Standard Hardware:*

#20 Knobs

*Shown in Brown Maple with OCS-111 Boston  
and #30 Knobs*

*Available with wood or glass doors- no extra charge  
Standard as shown*



## **LW-76030** 60" TV CONSOLE

60"W x 30<sup>1</sup>/<sub>4</sub>"H x 16"D

Soundbar Opening: 5<sup>3</sup>/<sub>4</sub>"H x 28"W

### *Standard Hardware:*

#20 Knobs

*Shown in Cherry with OCS-106 Acres  
and #30 Knobs*

*Available with wood or glass doors- no extra charge  
Standard as shown*



# *Linwood* TV CONSOLE COLLECTION



## **LW-85030** 50" TV CONSOLE

50"W x 30<sup>1</sup>/<sub>4</sub>"H x 16"D

Soundbar Opening: 5<sup>3</sup>/<sub>4</sub>"H x 18"W

2 Adj. Shelves

### *Standard Hardware:*

#20 Knobs

*Shown in Brown Maple with OCS-229 Bing Cherry*

*Available with wood or glass doors- no extra charge*

*Standard as shown*



## **LW-86030** 60" TV CONSOLE

60"W x 30<sup>1</sup>/<sub>4</sub>"H x 16"D

Soundbar Opening: 5<sup>3</sup>/<sub>4</sub>"H x 28"W

2 Adj. Shelves

### *Standard Hardware:*

#20 Knobs

*Shown in Brown Maple with OCS-113 Michaels*

*Available with wood or glass doors- no extra charge*

*Standard as shown*



# Linwood TV CONSOLE COLLECTION



## LW-4030C 40" CORNER TV CONSOLE

40"W x 30<sup>1</sup>/<sub>4</sub>"H x 16"D

Soundbar Opening: 5<sup>3</sup>/<sub>4</sub>"H x 25<sup>3</sup>/<sub>4</sub>"W

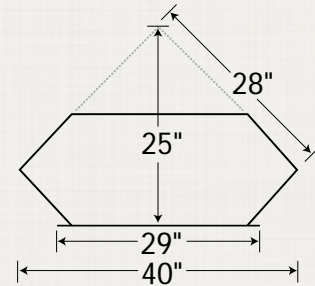
### Standard Hardware:

#20 Knobs

Shown in Brown Maple with  
FC-11434 Driftwood  
and #60 Knobs

Available with wood or  
glass doors- no extra charge

Standard as shown



## LW-5030C 50" CORNER TV CONSOLE

50"W x 30<sup>1</sup>/<sub>4</sub>"H x 16"D

Soundbar Opening: 5<sup>3</sup>/<sub>4</sub>"H x 35<sup>3</sup>/<sub>4</sub>"W

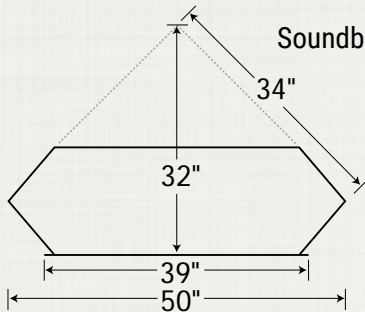
### Standard Hardware:

#20 Knobs

Shown in Rustic Cherry  
with OCS-103 MX  
and #44 Knobs

Available with wood or  
glass doors- no extra charge

Standard as shown



## LW-6030C 60" CORNER TV CONSOLE

60"W x 30<sup>1</sup>/<sub>4</sub>"H x 16"D

Soundbar Opening: 5<sup>3</sup>/<sub>4</sub>"H x 45<sup>3</sup>/<sub>4</sub>"W

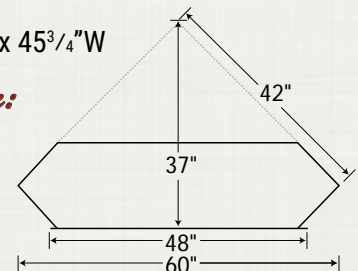
### Standard Hardware:

#20 Knobs

Shown in Brown Maple  
with OCS-101 S-2  
and #9 Wood Knobs

Available with wood or  
glass doors- no extra charge

Standard as shown





# Linwood TV CONSOLE COLLECTION

## LW-94633 46" TV CONSOLE

46"W x 33"H x 20"D

1 Adj. Shelf

### *Standard Hardware:*

#20 Knobs

*Shown in Cherry with OCS-107 Washington  
and #40 Knobs*

*Available with wood or glass doors- no extra charge*

*Standard as shown*



## LW-95233 52" TV CONSOLE

52"W x 33"H x 20"D

6 Adj. Shelves

### *Standard Hardware:*

#20 Knobs

*Shown in Brown Maple with OCS-227 Rich Cherry  
and #30 Knobs*

*Available with wood or glass doors- no extra charge*

*Standard as shown*

## LW-95633 56" TV CONSOLE

56"W x 33"H x 20"D

4 Adj. Shelves

### *Standard Hardware:*

#20 Knobs

*Shown in Brown Maple with OCS-230 Onyx*

*Available with wood or glass doors- no extra charge*

*Standard as shown*





# Linwood TV CONSOLE COLLECTION

All TV Consoles with fireplace inserts are available in Kingston style at no extra charge.

## FIREPLACE FEATURES

- Infrared heater (heats up to 1000 square feet)
- Includes built-in thermostat
- Flame adjustments - color, speed, and brightness
- Embers
- Includes remote
- 1 year warranty

Enjoy a warm and relaxing atmosphere as you watch your TV. The heat from the fireplace can be turned on or off as needed.



### **LW-5533-F** LINWOOD 55" TV CONSOLE W/ FIRE-PLACE

55"W x 33"H x 16"D

2 Adj. Shelves | Soundbar Opening: 5"H x 49"W

*Standard Hardware:*

#20 Knobs

*Shown in Brown Maple with OCS-119 Cappuccino with #20 Knobs*

*Available with wood or glass doors- no extra charge | Standard as shown*



# Linwood TV CONSOLE COLLECTION

All TV Consoles with fireplace inserts are available in Kingston style at no extra charge.



## LW-6533-F LINWOOD 65" TV CONSOLE W/ FIRE-PLACE

65"W x 33"H x 16"D

2 Adj. Shelves | Soundbar Opening: 5"H x 59"W

### *Standard Hardware:*

#20 Knobs

*Shown in Cherry with OCS-104 Seely with #20 Knobs*

*Available with wood or glass doors- no extra charge | Standard as shown*



## LW-7533-F LINWOOD 75" TV CONSOLE W/ FIRE-PLACE

75"W x 33"H x 16"D

2 Adj. Shelves | Soundbar Opening: 5"H x 69"W

### *Standard Hardware:*

#20 Knobs

*Shown in Brown Maple with OCS-121 Smoke with #15 Knobs*

*Available with wood or glass doors- no extra charge | Standard as shown*



# Rockford TV CONSOLE COLLECTION



## **RF-5125** ROCKFORD 51" TV CONSOLE

51"W x 25"H x 16"D

2 Adj. Shelves

### *Standard Hardware:*

#11 Pulls

*Shown in Oak with OCS-122 Cocoa*

*Standard with Door on Left - Also Available on Right*

## **RF-6325** ROCKFORD 63" TV CONSOLE

63"W x 25"H x 16"D

3 Adj. Shelves

### *Standard Hardware:*

#11 Pulls

*Shown in Brown Maple with OCS-119 Cappuccino*



## **RF-7525** ROCKFORD 75" TV CONSOLE

75"W x 25"H x 16"D

3 Adj. Shelves

### *Standard Hardware:*

#11 Pulls

*Shown in Rustic QWO with OCS-122 Cocoa*

*Can also be used with Doors in Center*



# Rockford TV CONSOLE COLLECTION

## RF-5133 ROCKFORD 51" TV CONSOLE

51"W x 33"H x 16"D

2 Adj. Shelves

*Standard Hardware:*

#11 Pulls

*Shown in Oak with MH810-HG*

*Standard with Door on Left - Also Available on Right*



## RF-6333 ROCKFORD 63" TV CONSOLE

63"W x 33"H x 16"D

Soundbar Opening: 5 3/4"H x 57"W

3 Adj. Shelves

*Standard Hardware:*

#11 Pulls

*Shown in Rustic Cherry with OCS-113 Michaels*

## RF-7533 ROCKFORD 75" TV CONSOLE

75"W x 33"H x 16"D

Soundbar Opening: 5 3/4"H x 32"W

3 Adj. Shelves

*Standard Hardware:*

#11 Pulls

*Shown in Rustic Brown Maple with OCS-121 Smoke*

*Can also be used with Doors in Center*





# Rockford TV CONSOLE COLLECTION

## FIREPLACE FEATURES

- Infrared heater (heats up to 1000 square feet)
- Includes built-in thermostat
- Flame adjustments - color, speed, and brightness
- Embers
- Includes remote
- 1 year warranty

*Enjoy a warm and relaxing atmosphere as you watch your TV. The heat from the fireplace can be turned on or off as needed.*



*Standard W/ Log Design  
Optional W/ Glass Crystals*



### **RF-8733-F** ROCKFORD 87" TV CONSOLE W/ 42" FIREPLACE

87"W x 33"H x 16"D  
Soundbar Opening: 5 $\frac{5}{8}$ " h x 42 $\frac{1}{8}$ " w  
2 Adjustable Shelves

*Standard Hardware:*

#11 Pulls

*Shown in Rustic Cherry W/ OCS-113 Michaels*

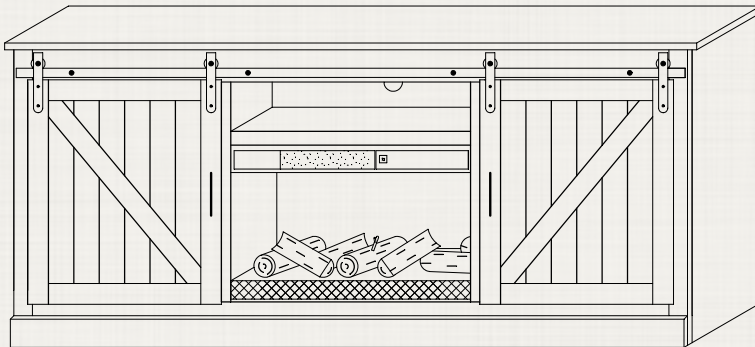
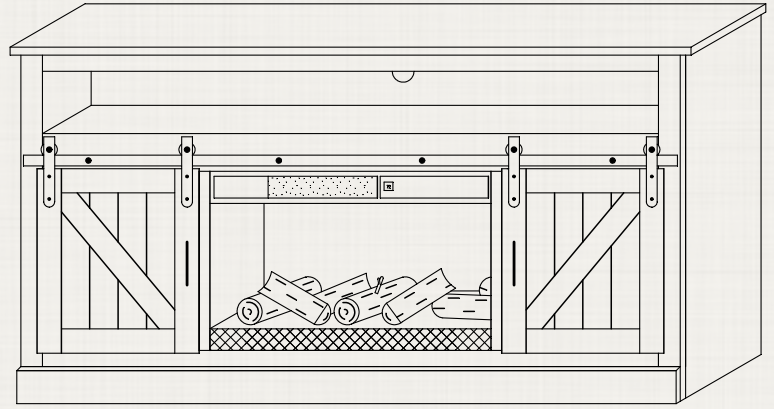




# Rockford TV CONSOLE COLLECTION

## **RF-6333-F** ROCKFORD 63" TV CONSOLE W/ 26" FIREPLACE

63"W x 33"H x 16"D  
Soundbar Opening: 5 $\frac{5}{8}$ " h x 57" w  
2 Adjustable Shelves

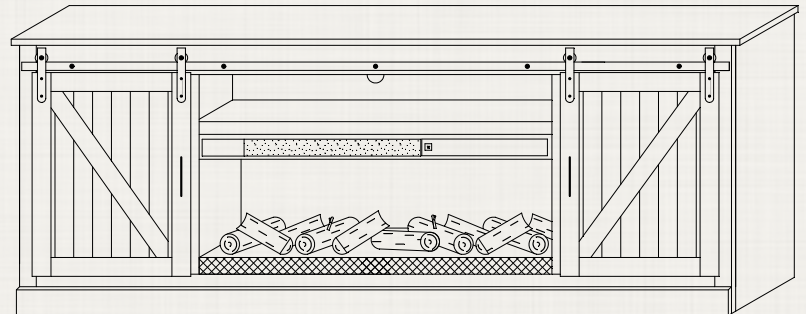


## **RF-7533-F** ROCKFORD 75" TV CONSOLE W/ 26" FIREPLACE

75"W x 33"H x 16"D  
Soundbar Opening: 5 $\frac{5}{8}$ " h x 26" w  
2 Adjustable Shelves

## **RF-8733-F** ROCKFORD 87" TV CONSOLE W/ 42" FIREPLACE

87"W x 33"H x 16"D  
Soundbar Opening: 5 $\frac{5}{8}$ " h x 42 $\frac{1}{8}$ " w  
2 Adjustable Shelves





# Maywood TV CONSOLE COLLECTION

## FIREPLACE FEATURES

- Infrared heater (heats up to 1000 square feet)
- Includes built-in thermostat
- Flame adjustments - color, speed, and brightness
- Embers
- Includes remote
- 1 year warranty

*Enjoy a warm and relaxing atmosphere as you watch your TV. The heat from the fireplace can be turned on or off as needed.*



*Standard W/ Glass Crystals  
Optional W/ Log Design*



## **MW-8533-F** MAYWOOD 85" TV CONSOLE W/ 42" FIREPLACE

85"W x 33"H x 16"D  
Soundbar Opening: 7<sup>13</sup>/<sub>16</sub>" h x 42<sup>1</sup>/<sub>8</sub>" w  
2 Adjustable Shelves

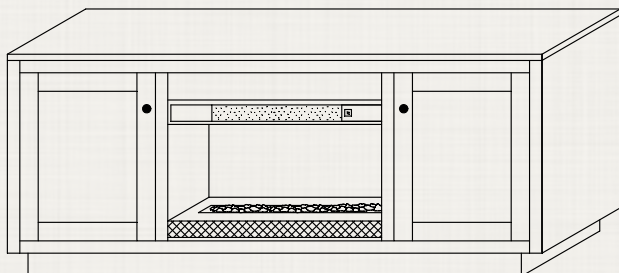
*Standard Hardware:*

#151 Pulls

*Shown in Brown Maple W/ FC-47823 Belair W/# 150 Knobs*

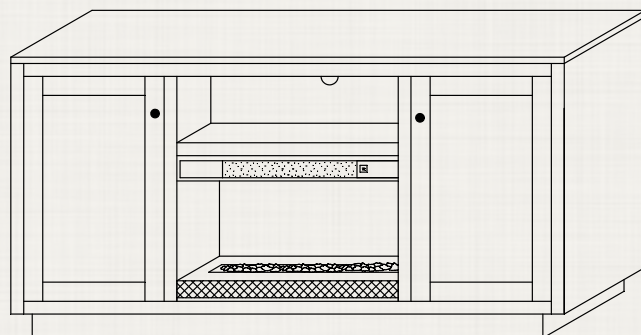


# Maywood TV CONSOLE COLLECTION



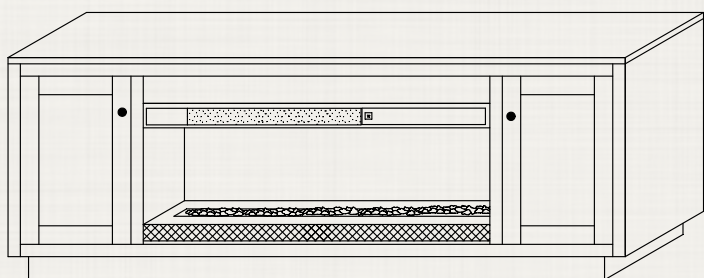
**MW-6527-F** MAYWOOD 65" TV CONSOLE  
W/ 26" FIREPLACE

65"W x 27"H x 16"D  
2 Adjustable Shelves



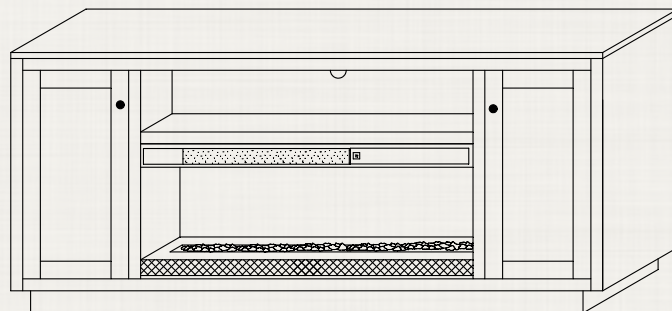
**MW-6533-F** MAYWOOD 65" TV CONSOLE  
W/ 26" FIREPLACE

65"W x 33"H x 16"D  
Soundbar Opening: 7<sup>13</sup>/<sub>16</sub>" h x 26" w  
2 Adjustable Shelves



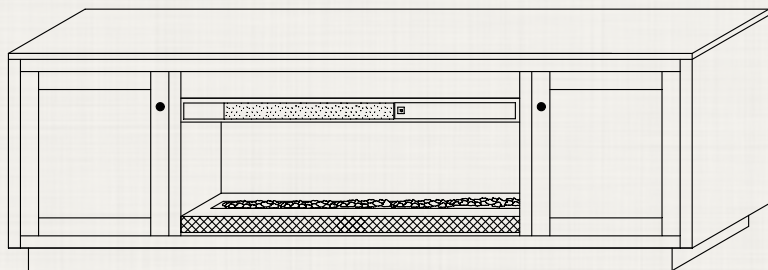
**MW-7527-F** MAYWOOD 75" TV CONSOLE  
W/ 42" FIREPLACE

75"W x 27"H x 16"D  
2 Adjustable Shelves



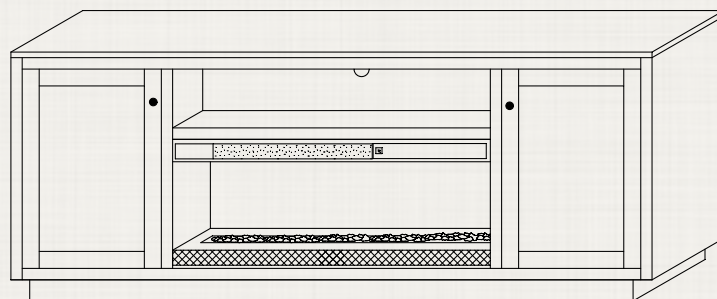
**MW-7533-F** MAYWOOD 75" TV CONSOLE  
W/ 42" FIREPLACE

75"W x 33"H x 16"D  
Soundbar Opening: 7<sup>13</sup>/<sub>16</sub>" h x 42<sup>1</sup>/<sub>8</sub>" w  
2 Adjustable Shelves



**MW-8527-F** MAYWOOD 85" TV CONSOLE  
W/ 42" FIREPLACE

85"W x 27"H x 16"D  
2 Adjustable Shelves



**MW-8533-F** MAYWOOD 85" TV CONSOLE  
W/ 42" FIREPLACE

85"W x 33"H x 16"D  
Soundbar Opening: 7<sup>13</sup>/<sub>16</sub>" h x 42<sup>1</sup>/<sub>8</sub>" w  
2 Adjustable Shelves



# Maywood TV CONSOLE COLLECTION



\* See Price List to Add Center Doors

## **MW-7527** MAYWOOD 75" TV CONSOLE

75"W x 27"H x 16"D  
3 Adjustable Shelves

*Standard Hardware:*

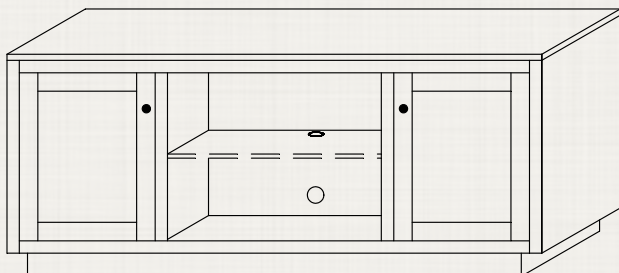
#151 Pulls

*Shown in Brown Maple W/ OCS-230 Onyx & #171 Pulls*



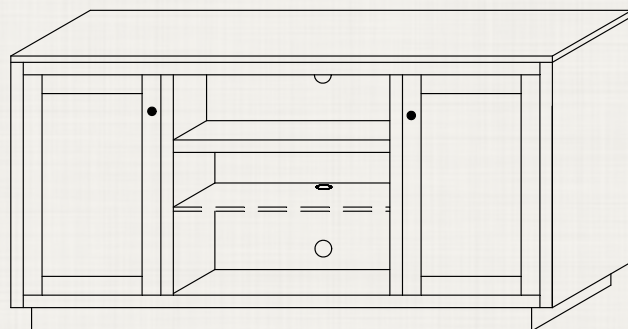


# Maywood TV CONSOLE COLLECTION



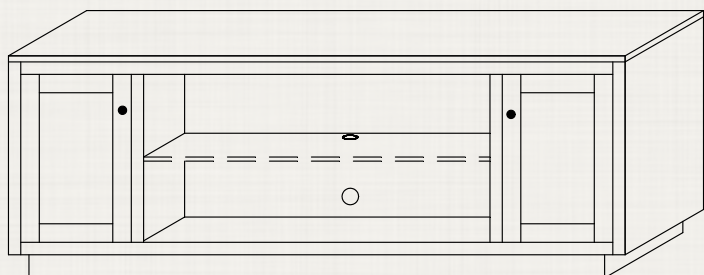
## **MW-6527** MAYWOOD 65" TV CONSOLE

65"W x 27"H x 16"D  
3 Adjustable Shelves



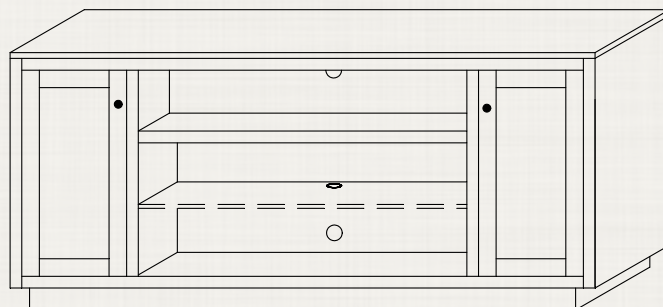
## **MW-6533** MAYWOOD 65" TV CONSOLE

65"W x 33"H x 16"D  
Soundbar Opening: 7<sup>13</sup>/<sub>16</sub>" h x 26" w  
3 Adjustable Shelves



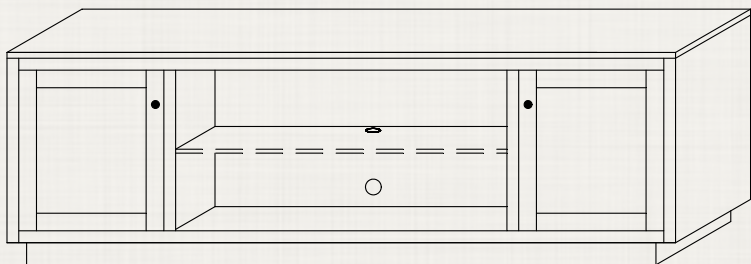
## **MW-7527** MAYWOOD 75" TV CONSOLE

75"W x 27"H x 16"D  
3 Adjustable Shelves



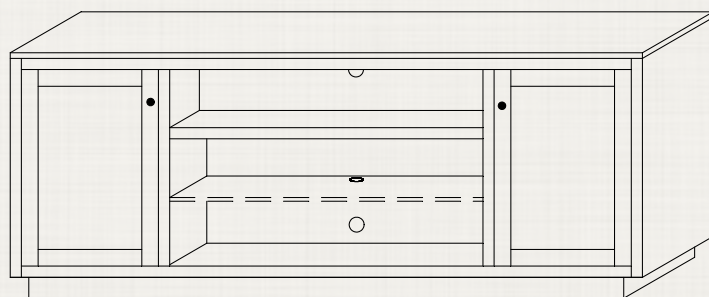
## **MW-7533** MAYWOOD 75" TV CONSOLE

75"W x 33"H x 16"D  
Soundbar Opening: 7<sup>13</sup>/<sub>16</sub>" h x 42<sup>1</sup>/<sub>8</sub>" w  
3 Adjustable Shelves



## **MW-8527** MAYWOOD 85" TV CONSOLE

85"W x 27"H x 16"D  
3 Adjustable Shelves



## **MW-8533** MAYWOOD 85" TV CONSOLE

85"W x 33"H x 16"D  
Soundbar Opening: 7<sup>13</sup>/<sub>16</sub>" h x 42<sup>1</sup>/<sub>8</sub>" w  
3 Adjustable Shelves



# Norway TV CONSOLE COLLECTION



## **NW-95030** 50" TV CONSOLE

50"W x 30<sup>1</sup>/<sub>4</sub>"H x 16"D

Soundbar Opening: 5<sup>3</sup>/<sub>4</sub>"H x 15<sup>1</sup>/<sub>2</sub>"W

3 Adj. Shelves

### *Standard Hardware:*

#15 Knobs

*Shown in Brown Maple with OCS-104 Seely and #40 Knobs*

*Available with wood or glass doors- no extra charge*

*Standard as shown*



## **NW-96030** 60" TV CONSOLE

60"W x 30<sup>1</sup>/<sub>4</sub>"H x 16"D

Soundbar Opening: 5<sup>3</sup>/<sub>4</sub>"H x 25<sup>1</sup>/<sub>2</sub>"W

3 Adj. Shelves

### *Standard Hardware:*

#15 Knobs

*Shown in Brown Maple with OCS-113 Michaels and #20 Knobs*

*Available with wood or glass doors- no extra charge*

*Standard as shown*





# *Occasionals* **AT-A-GLANCE**



**LINWOOD COLLECTION.....106**



**NORWAY COLLECTION.....108**



**KINGSTON COLLECTION.....109**



**RIPLEY COLLECTION.....110**



**SORRENTO COLLECTION.....112**



# Linwood OCCASIONAL COLLECTION



**LW-162** CHAIR SIDE TABLE  
14"W x 24"H x 26"D

*Standard Hardware:*  
#20 Knobs

*Shown in Brown Maple with OCS-111 Boston*



**LW-163** SOFA TABLE  
45"W x 30<sup>1</sup>/<sub>4</sub>"H x 15"D

*Standard Hardware:*  
#20 Knobs

*Shown in Brown Maple with OCS-225 Mission Maple*



**LW-160** END TABLE  
21"W x 24"H x 26"D

*Standard Hardware:*  
#20 Knobs

*Shown in Brown Maple with with OCS-111 Boston*



**LW-161** END TABLE  
21"W x 24"H x 26"D

*Standard Hardware:*  
#20 Knobs

*Shown in Brown Maple with with OCS-111 Boston*





**LW-166** ROUND COFFEE TABLE  
36"W x 19"H x 36"D

*Standard Hardware:*  
#20 Knob

*Shown in Brown Maple  
with OCS-121 Smoke #15 Knob*



**LW-169** ROUND END TABLE  
21"W x 24"H x 21"D

*Standard Hardware:*  
#20 Knob

*Shown in Rustic Hickory  
with OCS-112 Provincial #10 Knob*



**LW-167** CONSOLE TABLE  
30"W x 30<sup>1</sup>/<sub>4</sub>"H x 13<sup>1</sup>/<sub>2</sub>"D

*Standard Hardware:*  
#20 Knob

*Shown in Oak  
with OCS-103 MX and #6 Knob*



**LW-164** COFFEE TABLE  
45"W x 19"H x 26"D

*Standard Hardware:*  
#20 Knobs

*Shown in Brown Maple with OCS-111 Boston*



**LW-165** SMALL COFFEE TABLE  
38"W x 19"H x 22"D

*Standard Hardware:*  
#20 Knob

*Shown in Oak with OCS-102 Fruitwood  
and #6 Knob*





**NW-181** CHAIR SIDE TABLE

15"W x 24"H x 26"D

*Standard Hardware:*

#73 Pull

*Shown in Brown Maple with OCS-342 Country White  
Stain Rub Through with OCS-117 Asbury*



**NW-183** SOFA TABLE

47"W x 30<sup>1</sup>/<sub>4</sub>"H x 15"D

*Standard Hardware:*

#73 Pulls

*Shown in Brown Maple with OCS-342 Country White  
Stain Rub Through with OCS-117 Asbury*



**NW-184** COFFEE TABLE

47"W x 19"H x 24"D

*Standard Hardware:*

#73 Pulls

*Shown in Brown Maple with OCS-342 Country White  
Stain Rub Through with OCS-117 Asbury*



**NW-180** END TABLE

21"W x 24"H x 26"D

*Standard Hardware:*

#73 Pull

*Shown in Brown Maple with OCS-342 Country White  
Stain Rub Through with OCS-117 Asbury*





**KT-57** CHAIR SIDE TABLE

14"W x 24"H x 24"D

*Standard Hardware:*

#52 Knobs

*Shown in Oak with OCS-111 Boston, Distressed and #54 Knobs*



**KT-54** COFFEE TABLE

45"W x 19"H x 24"D

*Standard Hardware:*

#52 Knobs

*Shown in Oak with OCS-116 Harvest & OCS-230 Onyx and #40 Knobs*



**KT-56** END TABLE

21"W x 24"H x 24"D

*Standard Hardware:*

#52 Knobs

*Shown in Brown Maple with OCS-227 Rich Cherry and #40 Knobs*



**KT-55** END TABLE

21"W x 24"H x 24"D

*Standard Hardware:*

#52 Knobs

*Shown in Oak with OCS-116 Harvest & OCS-230 Onyx and #40 Knobs*





**RL-190** END TABLE  
21"W x 24"H x 26"D

*Standard Hardware:*  
#52 Knob

*Shown in Brown Maple with OCS-343 Black Stain Rub  
with OCS-113 Michaels and #54 Knob*



**RL-192** CHAIR SIDE TABLE  
15 $\frac{1}{2}$ "W x 24"H x 26"D

*Standard Hardware:*  
#52 Knob

*Shown in Brown Maple with OCS-343 Black Stain Rub  
with OCS-113 Michaels and #54 Knob*



**RL-193** SOFA TABLE  
45"W x 30 $\frac{1}{4}$ "H x 15"D

*Standard Hardware:*  
#52 Knob

*Shown in Brown Maple with OCS-113 Michaels  
with #54 Knob*





**RL-197** SMALL SOFA TABLE

30"W x 30<sup>1</sup>/<sub>4</sub>"H x 13<sup>1</sup>/<sub>2</sub>"D

*Standard Hardware:*  
#52 Knob

*Shown in Brown Maple with OCS-343 Black Stain Rub  
with OCS-113 Michaels and #54 Knob*



**RL-195** SMALL COFFEE TABLE

38"W x 19"H x 22"D

*Standard Hardware:*  
#52 Knob

*Shown in Cherry with OCS-108 S-14  
with #56 Knob*



**RL-194** COFFEE TABLE

45"W x 19"H x 26"D

*Standard Hardware:*  
#52 Knob

*Shown in Brown Maple with OCS-343 Black Stain Rub  
with OCS-113 Michaels and #54 Knob*





**SR-170** END TABLE  
21"W x 24"H x 26"D

*Standard Hardware:*  
#20 Knobs

*Shown in Brown Maple with OCS-228 Rich Tobacco*



**SR-172** CHAIR SIDE TABLE  
14"W x 24"H x 26"D

*Standard Hardware:*  
#20 Knobs

*Shown in Brown Maple with OCS-228 Rich Tobacco*



**SR-177** SMALL SOFA TABLE  
30"W x 30<sup>1</sup>/<sub>4</sub>"H x 13<sup>1</sup>/<sub>2</sub>"D  
1 Adj. Shelf

*Standard Hardware:*  
#20 Knobs

*Shown in Brown Maple with OCS-113 Michaels*





**SR-174** COFFEE TABLE

45"W x 19"H x 26"D

*Standard Hardware:*

#20 Knobs

*Shown in Brown Maple with OCS-228 Rich Tobacco*



**SR-173** SOFA TABLE

45"W x 30<sup>1</sup>/<sub>4</sub>"H x 15"D

1 Adj. Shelf

*Standard Hardware:*

#20 Knobs

*Shown in Brown Maple with OCS-228 Rich Tobacco  
and #30 Knobs*





# Paris Pie Safes COLLECTION



## **P-46** PIE SAFE

35"W x 47"H x 14"D

2 Adj. Shelves

Wheat Tin Panels

### *Standard Hardware:*

#52 Knobs

*Shown in Brown Maple with OCS-113 Michaels  
and #9 Knobs*



## **P-47** PIE SAFE

35"W x 47"H x 14"D

2 Adj. Shelves

Raised Panel Doors

### *Standard Hardware:*

#52 Knobs

*Shown in Oak with OCS-343 Black Stain Rub Through  
with OCS-110 Medium and #18 Knobs*



# Paris Pie Safes COLLECTION



## **P-48** PIE SAFE

35"W x 47"H x 14"D  
2 Adj. Shelves  
Flat Panel Doors

*Standard Hardware:*  
#52 Knobs

*Shown in Brown Maple with OCS-118 Antique Slate  
and #40 Knobs*



## **P-49** PIE SAFE

35"W x 47"H x 14"D  
2 Adj. Shelves  
3 Star Tin Panels

*Standard Hardware:*  
#52 Knobs

*Shown in Oak with OCS-113 Michaels*



# Hardware Options



#4

#6

#9



#10



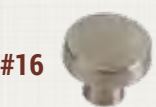
#11



#12



#13



#16



#17



#18



#19



#20



#71



#15



#73



#20



#22



#30



#32



#40



#42



#25



#23



#35



#33



#45



#43



#50



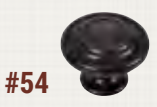
#51



#52



#53



#54



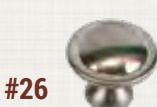
#55



#56



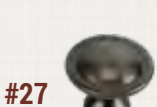
#57



#26



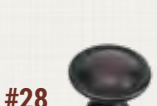
#21



#27



#31



#28



#41

- #4 Brass Knob
- #6 Antique English Knob
- #9 Wood Knob
- #10 Black Bronze Knob
- #11 Black Bronze Pull
- #12 Golden Bronze Knob
- #13 Golden Bronze Pull
- #15 Black Knob
- #16 Satin Nickel Knob
- #17 Satin Nickel Pull
- #18 Antique English Knob
- #19 Antique English Pull
- #20 Satin Nickel Knob
- #21 Satin Nickel Pull
- #22 Satin Nickel Pull

- #23 Satin Nickel Pull
- #25 Satin Nickel Knob
- #26 Satin Nickel Knob
- #27 Weathered Nickel Knob
- #28 Oil Rubbed Bronze Knob
- #30 Weathered Nickel Knob
- #31 Weathered Nickel Pull
- #32 Weathered Nickel Pull
- #33 Weathered Nickel Pull
- #35 Weathered Nickel Knob
- #40 Oil Rubbed Bronze Knob
- #41 Oil Rubbed Bronze Pull
- #42 Oil Rubbed Bronze Pull
- #43 Oil Rubbed Bronze Pull
- #45 Oil Rubbed Bronze Knob

- #50 Satin Nickel Knob
- #51 Satin Nickel Pull
- #53 Pewter Pull
- #52 Pewter Knob
- #54 Oil Rubbed Bronze Knob
- #55 Oil Rubbed Bronze Pull
- #56 Antique Brass Knob
- #57 Antique Brass Pull
- #60 Satin Nickel Knob
- #61 Satin Nickel Pull
- #62 Weathered Nickel Knob
- #63 Weathered Nickel Pull
- #64 Oil Rubbed Bronze Knob
- #65 Oil Rubbed Bronze Pull
- #71 Satin Nickel Bow Pull
- #73 Black Bow Pull



# Hardware Options



- #80 Satin Nickel Knob
- #81 Satin Nickel Pull
- #82 Weathered Nickel Knob
- #83 Weathered Nickel Pull
- #84 Oil Rubbed Bronze Knob
- #85 Oil Rubbed Bronze Pull
- #90 Matte Black Knob
- #91 Matte Black Knob
- #92 Oil Rubbed Bronze Knob
- #93 Oil Rubbed Bronze Knob
- #94 Golden Bronze Knob
- #95 Golden Bronze Knob
- #96 Satin Nickel Knob

- #97 Satin Nickel Knob
- #101 Matte Black Pull
- #102 Oil Rubbed Bronze Pull
- #103 Golden Bronze Pull
- #104 Satin Nickel Pull
- #120 Oil Rubbed Bronze Knob
- #121 Oil Rubbed Bronze Pull
- #124 Satin Nickel Knob
- #125 Satin Nickel Pull
- #128 Oil Rubbed Bronze Knob
- #129 Oil Rubbed Bronze Pull
- #130 Satin Nickel Knob
- #131 Satin Nickel Pull

- #140 Black Knob
- #141 Black Pull
- #150 Matte Black Knob
- #151 Matte Black Pull
- #160 Oil Rubbed Bronze Knob
- #161 Oil Rubbed Bronze Pull
- #170 Golden Bronze Knob
- #171 Golden Bronze Pull
- #180 Satin Nickel Knob
- #181 Satin Nickel Pull



# OCS Stain Options



## Ohio Certified Stains

33284 County Road 12 · Baltic, Ohio 43804 · Phone: 330.275.7784 · Fax: 330.698.3200  
Now accepting credit cards. · Mail order form with check, or call with credit card information.

## Wood Stain Samples

### 3" x 5" Small Sample Boards

These samples work great to have throughout your showroom for quick reference and selection. Available in sets or individual samples.



Red Oak - 27 pc. set



Hickory - 27 pc. set



Brown Maple - 27 pc. set



Qu. Sawn Wh. Oak - 27 pc. set



Cherry - 27 pc. set

### 7" x 10" Sample Boards

Wood Stain samples that represent a larger portion of grain for additional accuracy.

Recommended for use in stain booth along with consulting your stain supplier to assist you with their Master 12" x 12" samples.

*Natural wood is vulnerable to much variation.*



7" x 10" Display Case









**MAPLE HILL**  
Woodworking

2726 TR 128 • Millersburg, OH





# MAPLE HILL, WOODWORKINGS

**PRODUCT CATALOG**

